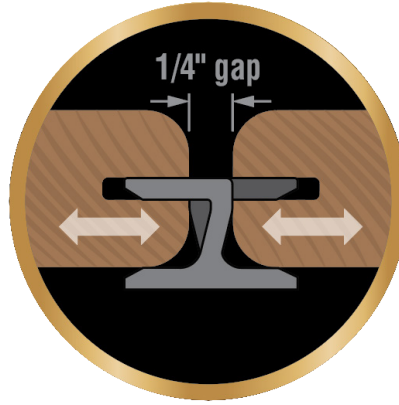
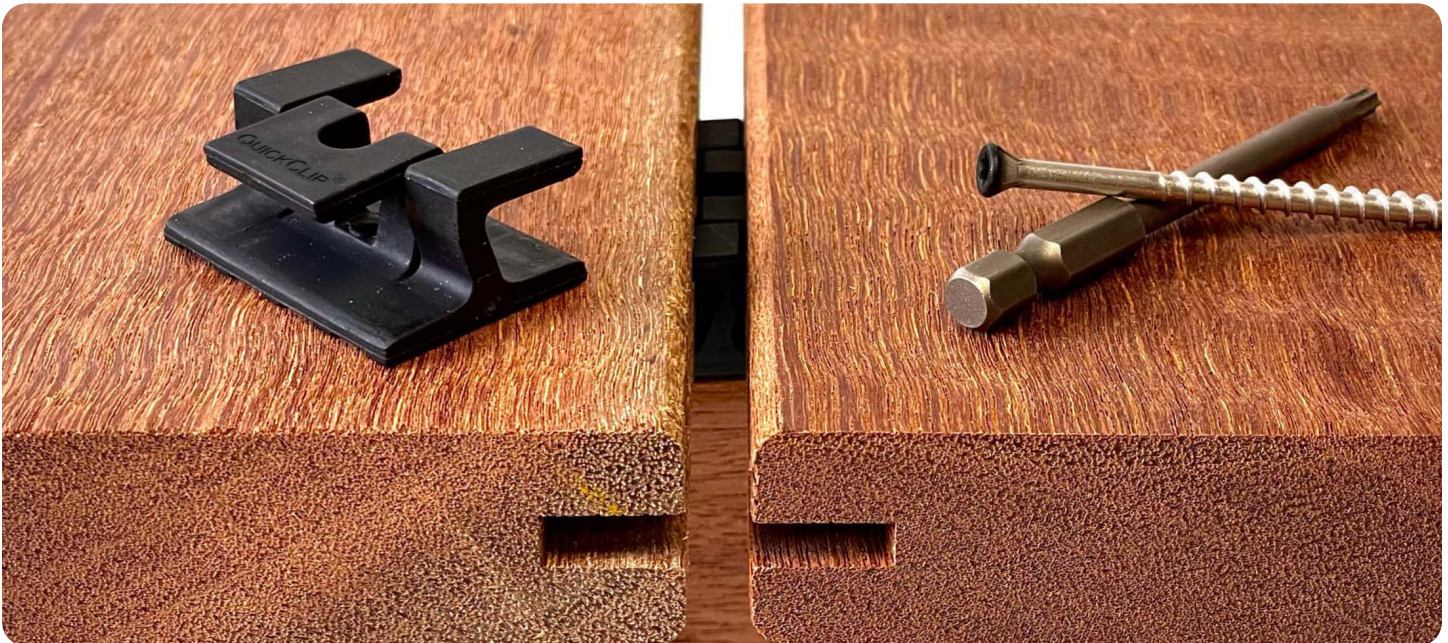


# EXO DEK QUICKCLIP

Hidden Fastener Deck Clip System  
US Patent Pending



The only clip system designed for natural expansion and contraction. The ExoDek QuickClip is perfect for grooved hardwoods, softwoods, PVC & composite decking. It is faster than traditional fasteners and helps to prevent checking and splits by screwing into the joists, not through the deck boards. The QuickClip allows your deck boards to rest just above the joists and encourages airflow to help prevent mold and rotting. Made from glass fiber reinforced nylon, the QuickClip is designed to withstand the elements for maximum longevity.



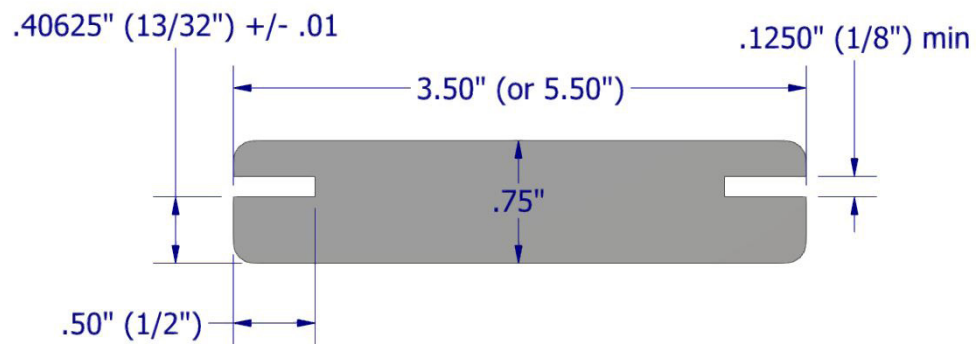
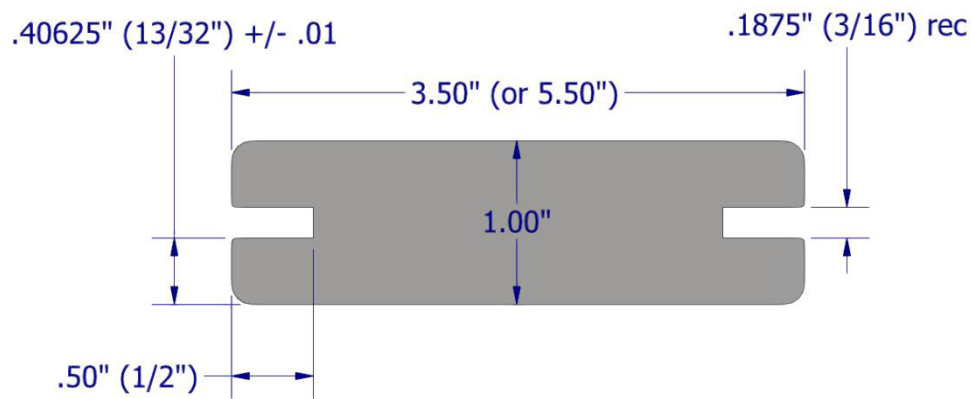
Nova USA Wood Products  
3821 24th Ave  
Forest Grove, OR 97116  
503-419-6407

[www.novausawood.com](http://www.novausawood.com)



@NovaUSAWood





### GROOVED DECKING BOARDS - REQUIRED PATTERNS

Our deck clips are designed for typical 5/4x4 and 5/4x6 grooved deck boards with 3/16" height grooves located at the mid point of the thickness or height of the board. With typical 1" net thickness boards, the lower edge of the groove is located at 13/32" or approximately 0.40" when measured from the bottom of the board. Our clips require a minimum groove height of 1/8" but the location of the groove off the bottom of the board must be milled precisely at 0.40" +/- .01" from the bottom. When using our deck clip with 1x4 or 1x6 boards, the groove will be offset in height and therefore, only one face will be usable during installation. The recommended groove depth is 1/2" with a minimum depth of 7/16".