

EXOCLAD QUICKCLIP RAINSCREEN SIDING SYSTEM



FEATURES & BENEFITS

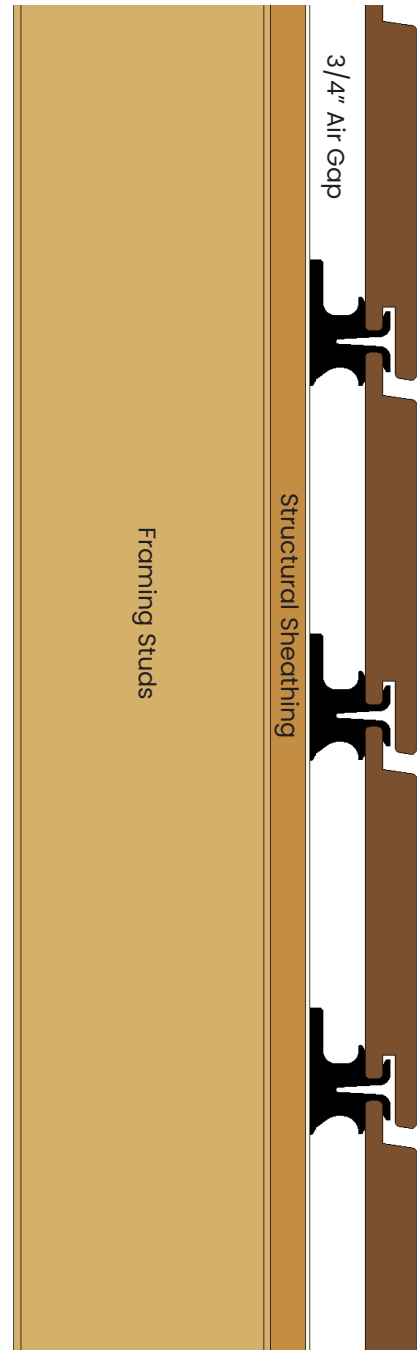
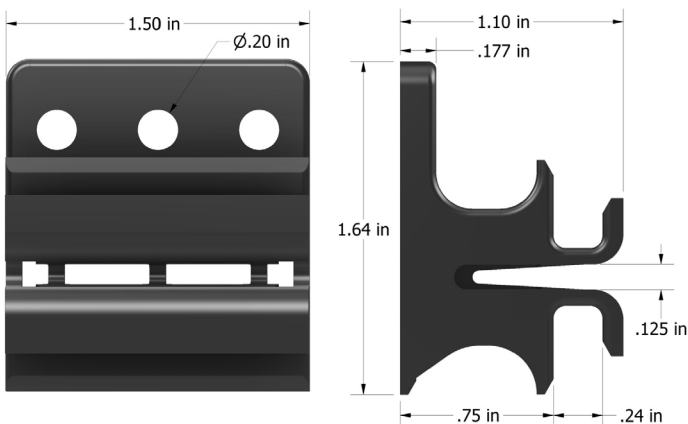
- The only flexible, resilient clip available
- Allows wood to naturally swell and shrink
- Clips are extremely durable nylon 6/6 with glass fiber infill
- Clips are made in the USA

AVAILABLE FOR USE WITH

- Hardwood: Batu, Ipe, Torem, Bangkirai
- Softwood: Cedar, Redwood, Douglas Fir, Hemlock
- Thermally Modified: Ayous, Korina, Rhino, Accoya
- 1x6 and 1x8 Rainscreen Siding
- Please inquire for CAD drawings of pattern

SPECIFICATIONS

- Coverage:
- Attach with #9 or #10 x 2-1/2" exterior grade screw
- Use Cor-A-Vent under top and bottom rows
- Use standard S4S or rabbeted corner boards over butt joints
- Finish with ExoShield Tung oil stain or other approved penetrating oil finish



Nova USA Wood Products
3821 24th Ave.
Forest Grove, OR. 97116
(503) 419-6407

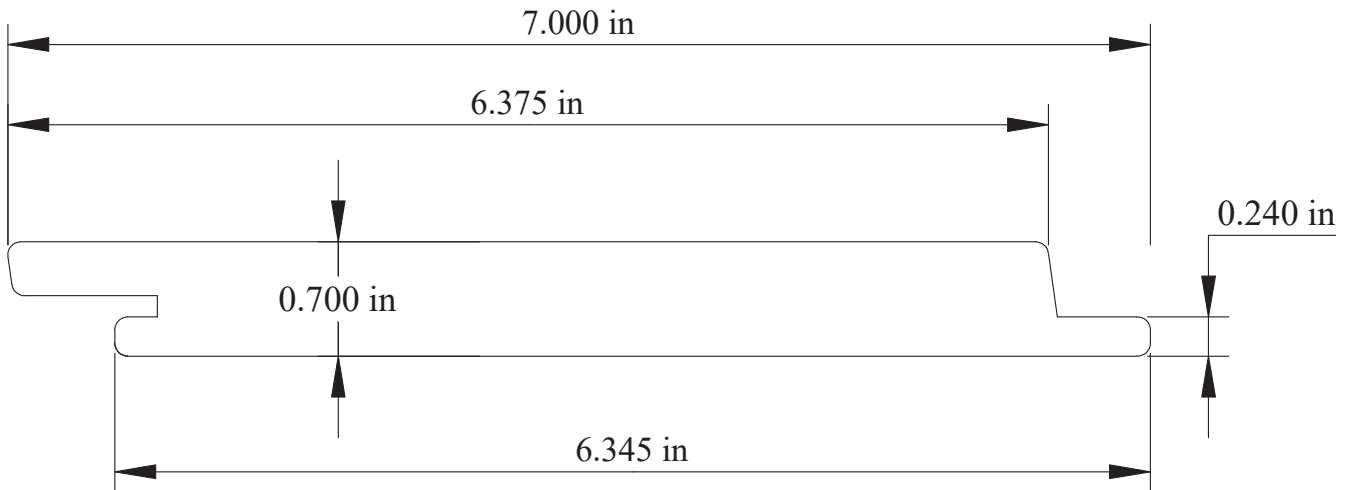
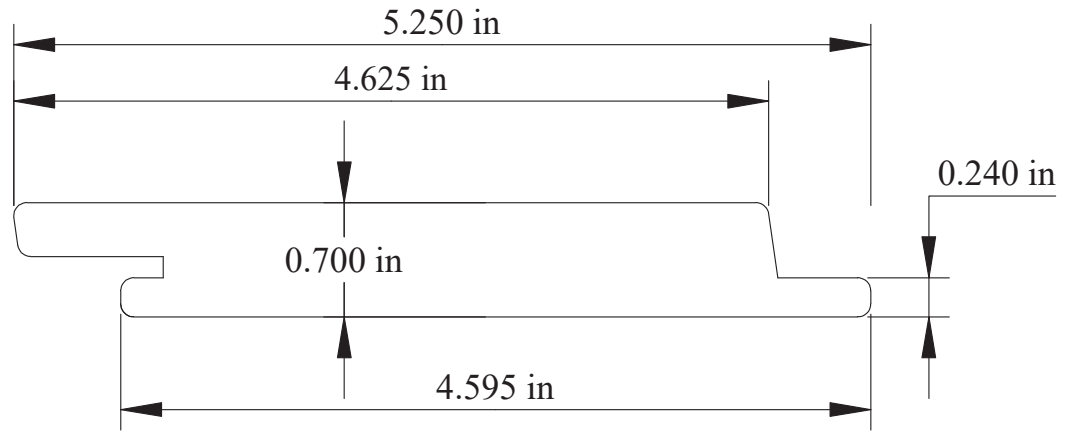
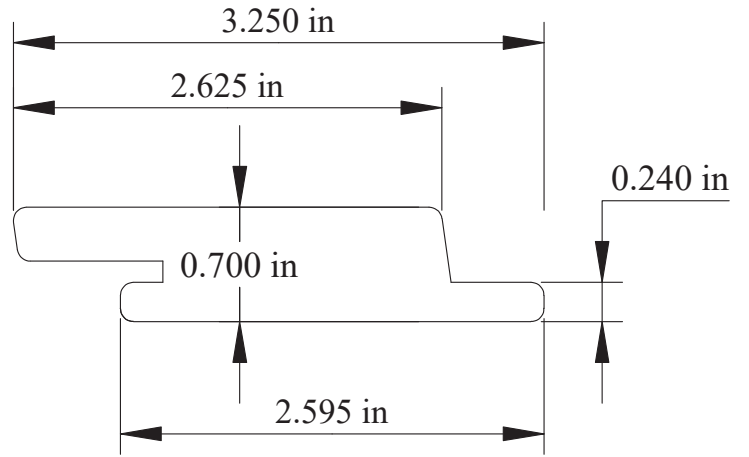
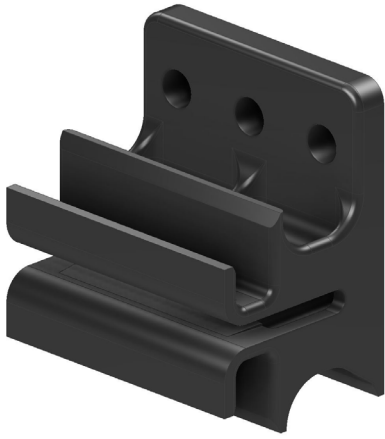
Full Installation Guide



www.novausawood.com

@NOVAUSAWOOD





For ExoClad QuickClip purchase inquiries visit <https://www.novausawood.com/where-to-buy>

Full Installation Guide



www.novausawood.com

Nova USA Wood Products
 3821 24th Ave.
 Forest Grove, OR. 97116
 (503) 419-6407

@NOVAUSAWOOD

