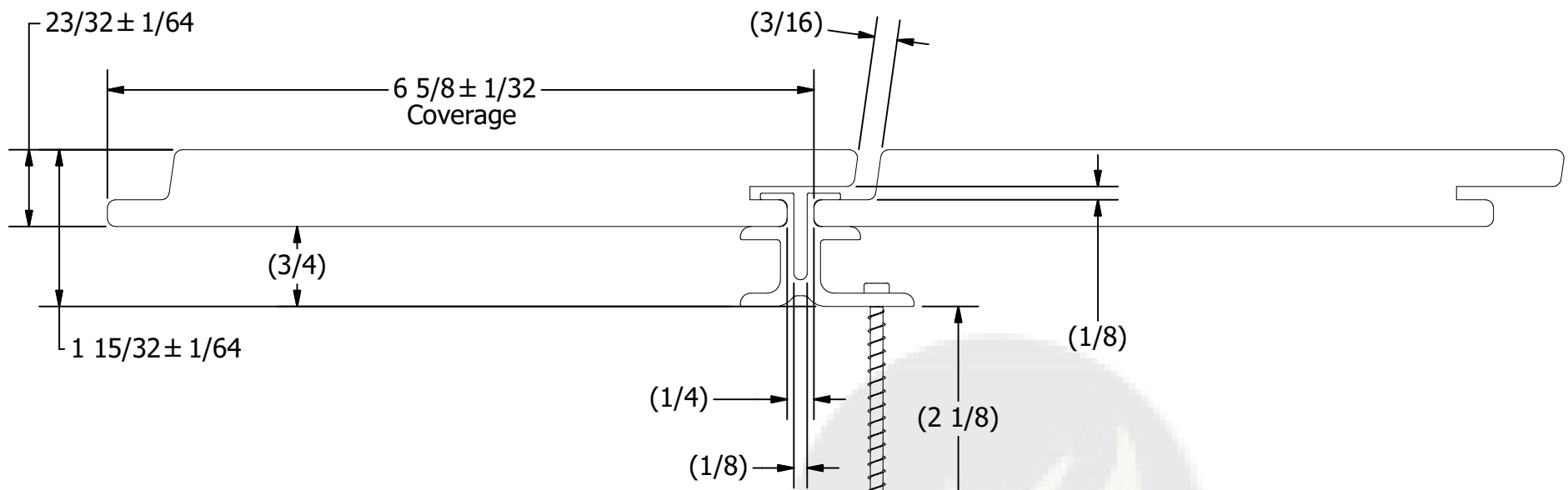


2

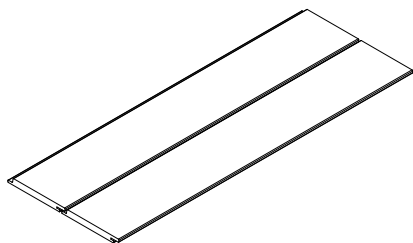
1



PARTS LIST

PART NUMBER	PART DESCRIPTION
2669	Batu, Red Balau 1x8 Nominal Rainscreen Siding
2538	Aluminum Rainscreen Clip

1 square = 100 sq ft
 = 181.1 linear feet
 = 120.7 board feet



DRAWN Chad Koehnen	8/09/2020
CHECKED Steve Getsiv	8/13/2020

NovaUSAWood Wood Products LLC https://www.novausawood.com/rainscreen-siding-clips			
TITLE			
Rainscreen Clip and Siding System Assembly Drawing 1x8 Nominal to 1x8 Nominal			
SIZE A	DWG NO 20200629-01a	REV 2.4	
SCALE 1 / 1.5	SHEET 1 OF 1		

2

1

1