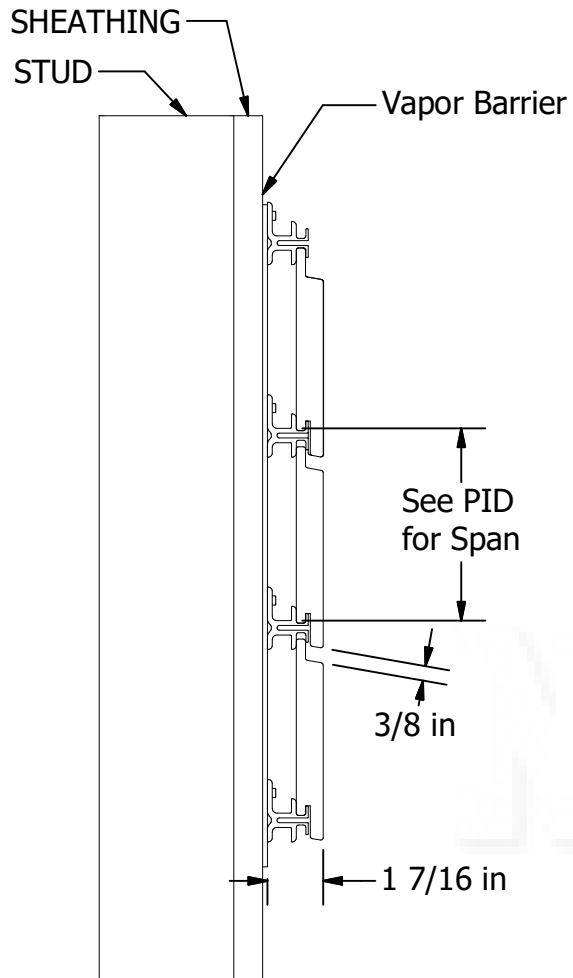


2

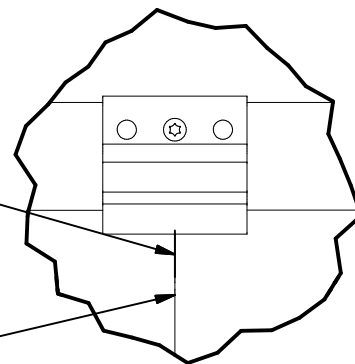


1

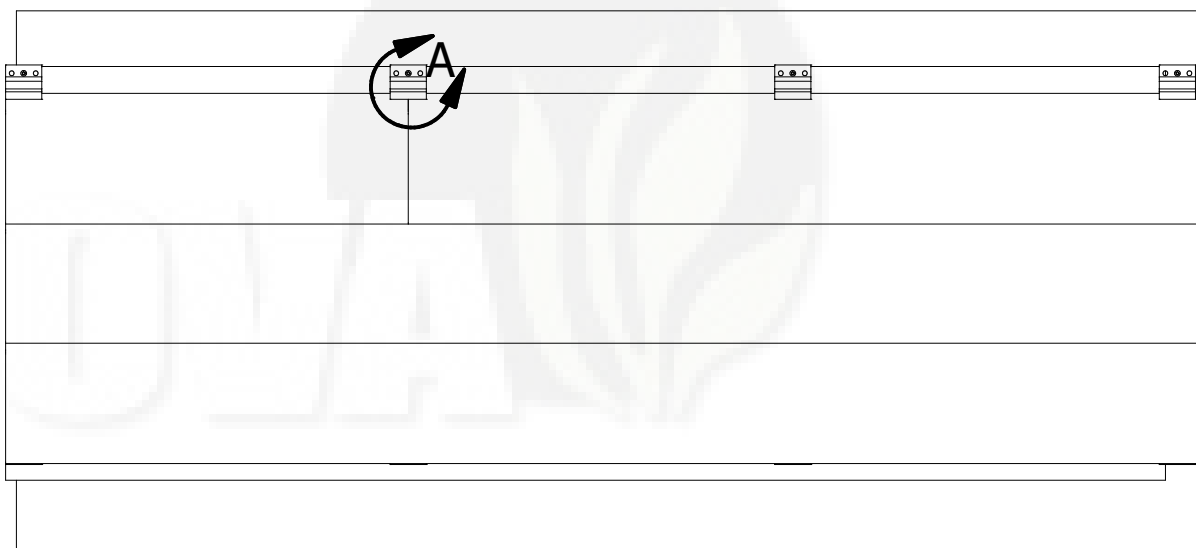


DETAIL A
SCALE 1 / 2

BOARDS JOIN ON A CLIP



BOARDS BUTT AGAINST EACH OTHER



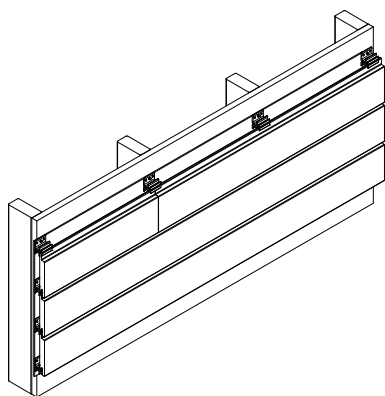
B

B



A

A



DRAWN Chad Koehnen	12/30/2020	NovaUSAWood Wood Products LLC https://www.novausawood.com/rainscreen-siding-clips		
CHECKED Steve Getsiv		TITLE		
QA		Rainscreen Clip and Siding System Example Horizontal Installation		
MFG Steve Getsiv		SIZE A	DWG NO Rainscreen Reference	REV 2.6
APPROVED Chad Koehnen		SCALE 1 / 5	SHEET 1 OF 28	

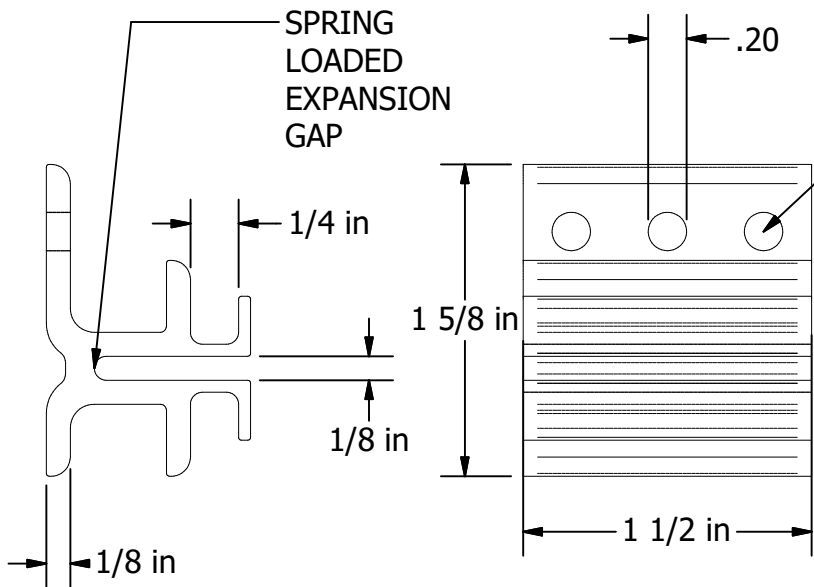
2



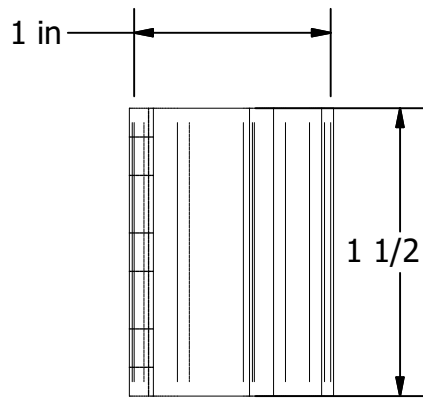
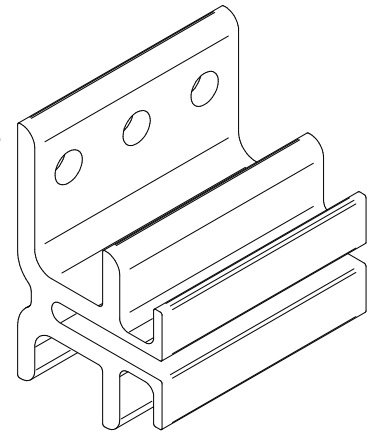
1

2

1



USE #6 OR #8 SCREWS,
#10 SCREWS REQUIRE PRE-DRILL



COVERAGE IS BASED ON WIDTH OF RainScreen USED

DRAWN Chad Koehnen	12/30/2020
CHECKED Steve Getsiv	
QA	
MFG Steve Getsiv	
APPROVED Chad Koehnen	

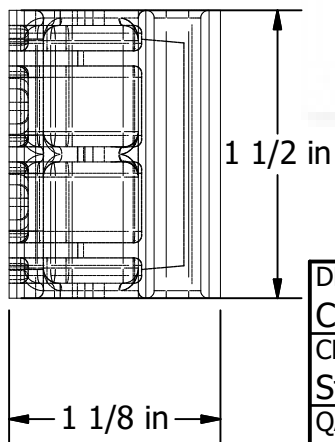
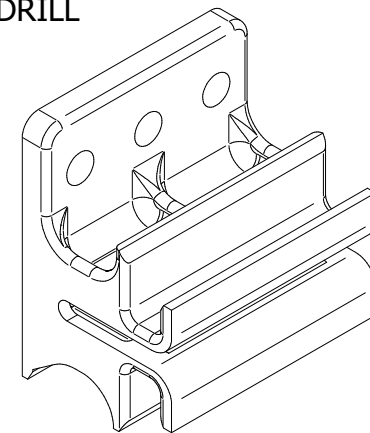
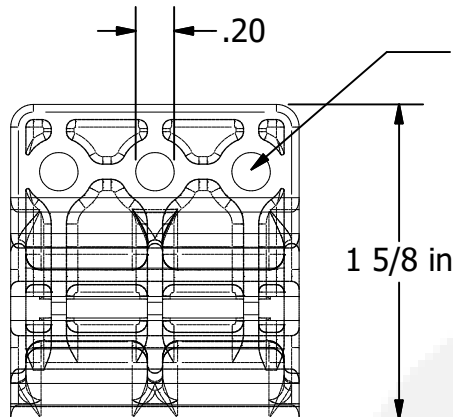
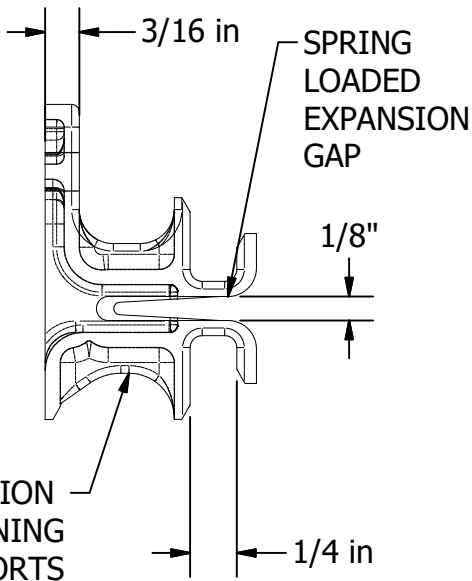
NovaUSAWood Wood Products LLC https://www.novausawood.com/rainscreen-siding-clips			
TITLE Rainscreen Clip and Siding System PID 2538 - Extruded 6005 Aluminum RainScreen Clip Details			
SIZE A	DWG NO	REV 2.6	
SCALE 1 : 1	SHEET 2 OF 28		

2

1

2

1



Coverage is based on width of RainScreen used

DRAWN Chad Koehnen		12/30/2020		NovaUSAWood Wood Products LLC			
CHECKED Steve Getsiv				TITLE			
QA				Rainscreen Clip and Siding System			
MFG Steve Getsiv				PID 2786 - Nylon 6/6 15% Glass Infused RainScreen Clip Details			
APPROVED Chad Koehnen				SIZE	DWG NO	REV	
				A	Rainscreen Reference	2.6	
				SCALE	1 : 1	SHEET 3 OF 28	

2

1



B

B

A

A



2

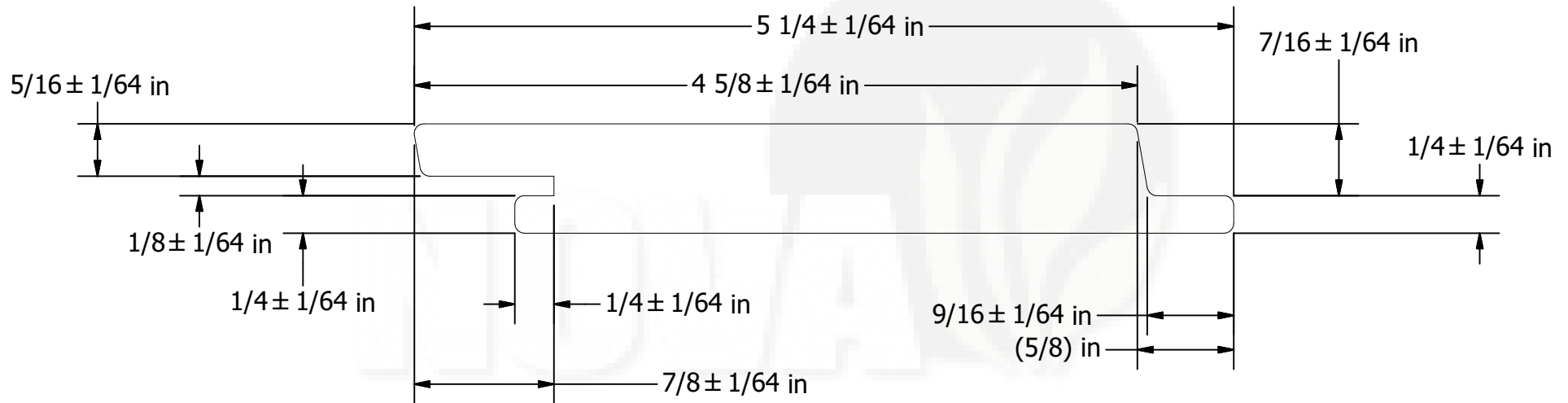
1

1"x6" Rainscreen Product Numbers

Part No	Description
2598	1x6 Kiln Dried Batu Rainscreen, Unfinished
2599	1x6 Kiln Dried Ipe Rainscreen, Unfinished
2600	1x6 Kiln Dried Cumaru Rainscreen, Unfinished
2771	1x6 Kiln Dried Batu Rainscreen Walnut Prefinished

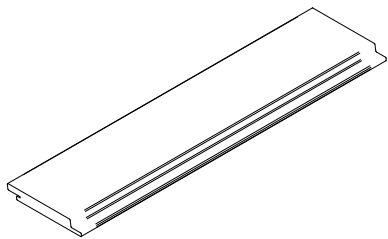
B

B



A

A



DRAWN Chad Koehnen	12/30/2020	NovaUSAWood Wood Products LLC https://www.novausawood.com/rainscreen-siding-clips	
CHECKED Steve Getsiv		TITLE	
QA		Rainscreen Clip and Siding System Profile Dimensions Part Nos 2598, 2599, 2600, 2704, 2771 - 1"x6" Rainscreen	
MFG Steve Getsiv		SIZE A	REV 2.6
APPROVED Chad Koehnen		DWG NO	Rainscreen Reference
		SCALE 0.10: 1	SHEET 4 OF 28

2

1

1

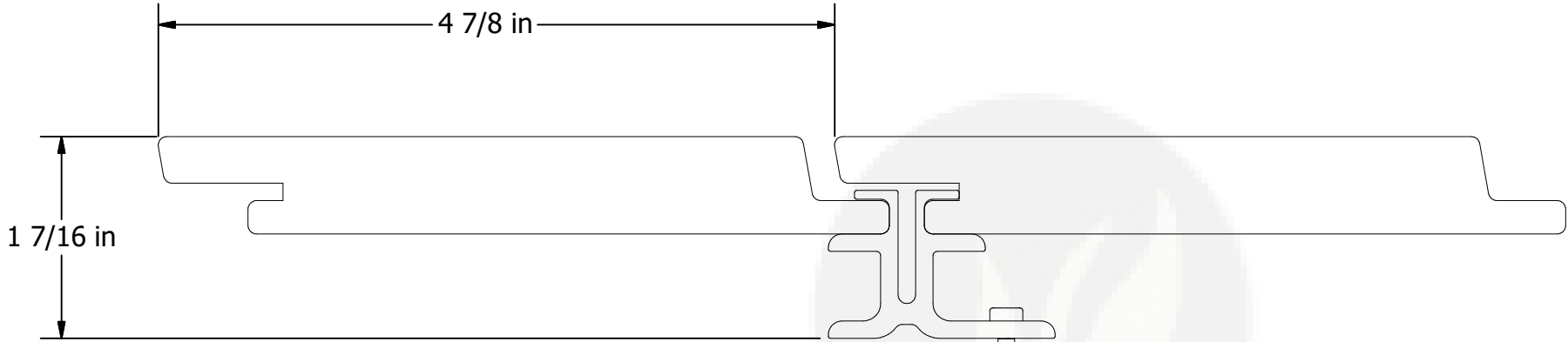
2



1

Unit Conversions			
Item	Unit	Sq Ft	Linear Ft
1x6 Rainscreen	1	100	493
Rainscreen Clip	1	100	227

B



B



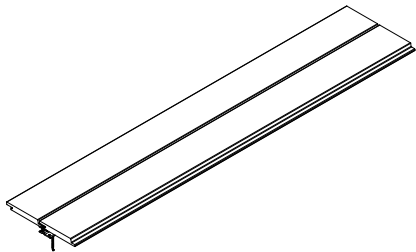
1 7/16 in

4 7/8 in

SCREW DIMENSIONS APPROPRIATE TO APPLICATION.
WOOD SCREW SHOWN.
TYPICAL DIAMETERS ARE A #6 OR #8

A

A



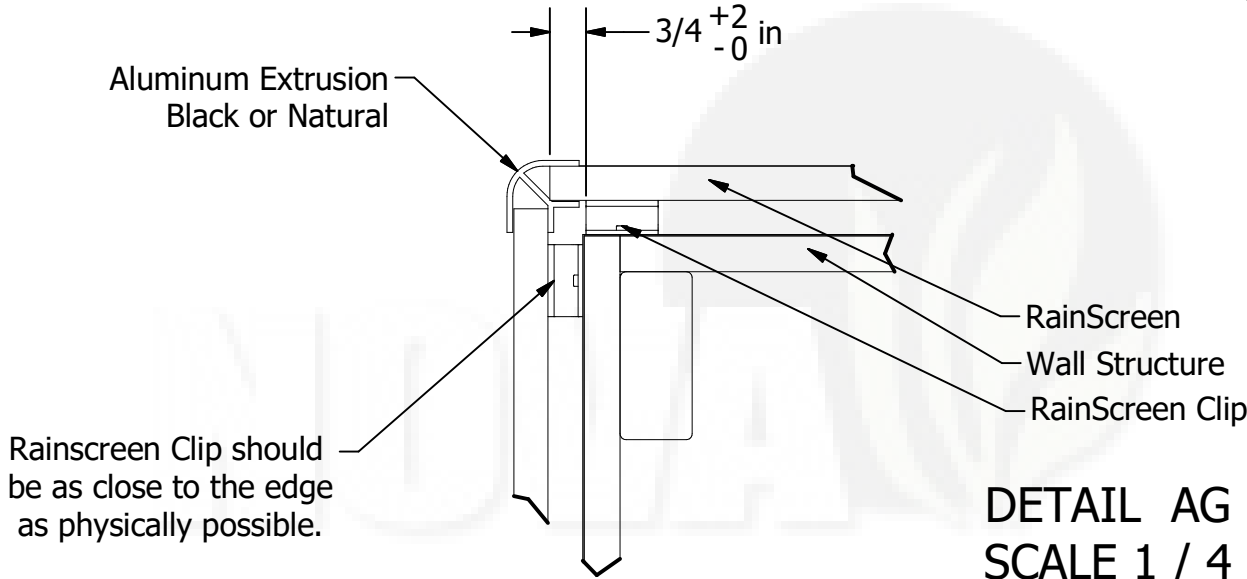
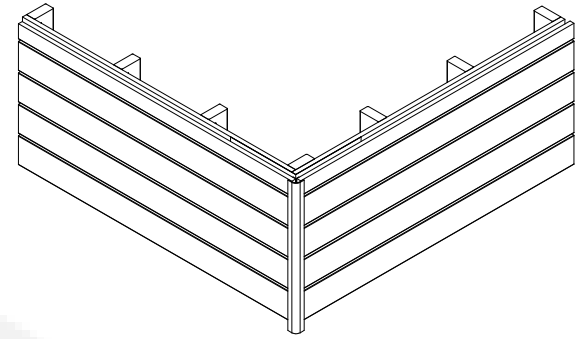
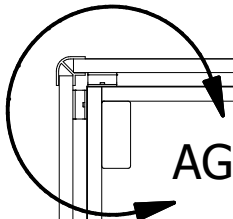
DRAWN Chad Koehnen	12/30/2020	NovaUSAWood Wood Products LLC https://www.novausawood.com/rainscreen-siding-clips	
CHECKED Steve Getsiv			
QA		TITLE	
MFG Steve Getsiv		Rainscreen Clip and Siding System	
APPROVED Chad Koehnen		Inter-Board Dimensions for 1x6 Part Numbers 2598, 2599, 2600, 2704	
		SIZE A	DWG NO Rainscreen Reference
		SCALE 1 : 1.2	REV 2.6
			SHEET 5 OF 28

NovaUSAWood Wood Products LLC https://www.novausawood.com/rainscreen-siding-clips	
TITLE	
Rainscreen Clip and Siding System	
Inter-Board Dimensions for 1x6 Part Numbers 2598, 2599, 2600, 2704	
SIZE A	DWG NO Rainscreen Reference
SCALE 1 : 1.2	REV 2.6
	SHEET 5 OF 28

2

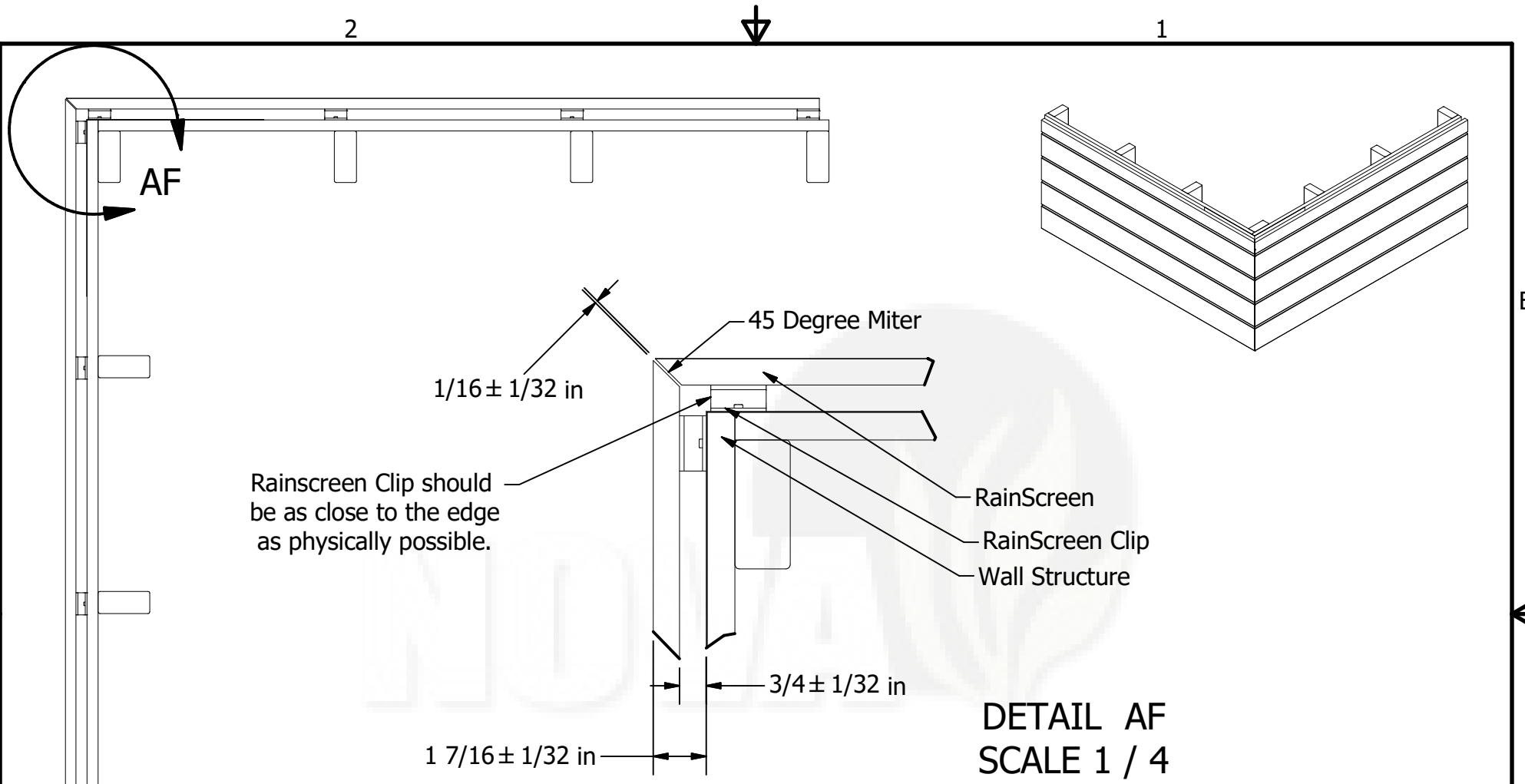


1



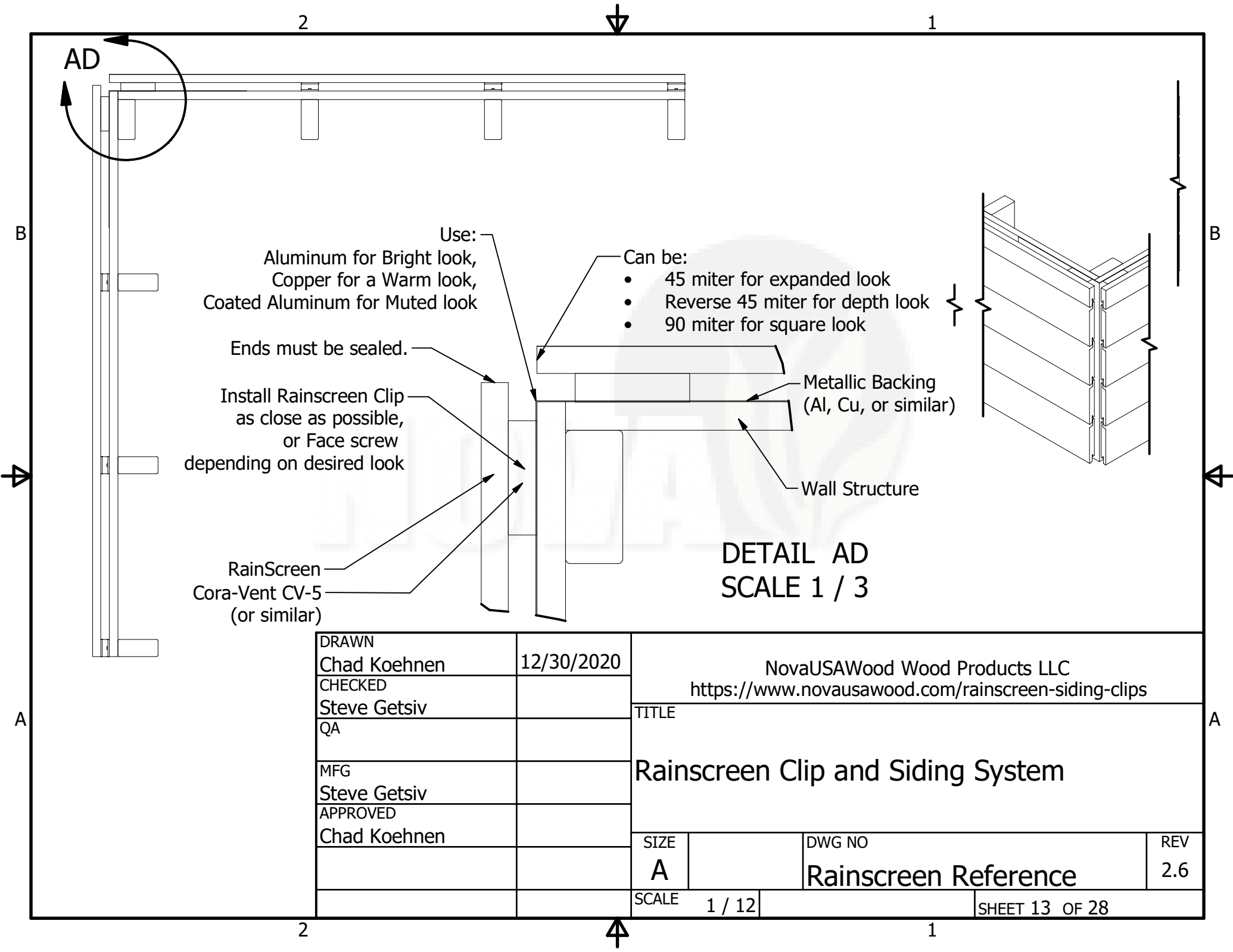
DETAIL AG
SCALE 1 / 4

DRAWN Chad Koehnen	12/30/2020	NovaUSAWood Wood Products LLC		
CHECKED Steve Getsiv		TITLE		
QA		Rainscreen Clip and Siding System		
MFG Steve Getsiv		SIZE A	DWG NO Rainscreen Reference	REV 2.6
APPROVED Chad Koehnen		SCALE 1 / 10	SHEET 11 OF 28	



DETAIL AF
SCALE 1 / 4

DRAWN Chad Koehnen		12/30/2020		NovaUSAWood Wood Products LLC			
CHECKED Steve Getsiv				TITLE			
QA				Rainscreen Clip and Siding System			
MFG Steve Getsiv				SIZE			
APPROVED Chad Koehnen				A		DWG NO	
				Rainscreen Reference		REV	
				SCALE 1 / 10		2.6	
				SHEET 12 OF 28			



Use:
 Aluminum for Bright look,
 Copper for a Warm look,
 Coated Aluminum for Muted look

- Can be:
- 45 miter for expanded look
 - Reverse 45 miter for depth look
 - 90 miter for square look

Ends must be sealed.
 Install Rainscreen Clip
 as close as possible,
 or Face screw
 depending on desired look

RainScreen
 Cora-Vent CV-5
 (or similar)

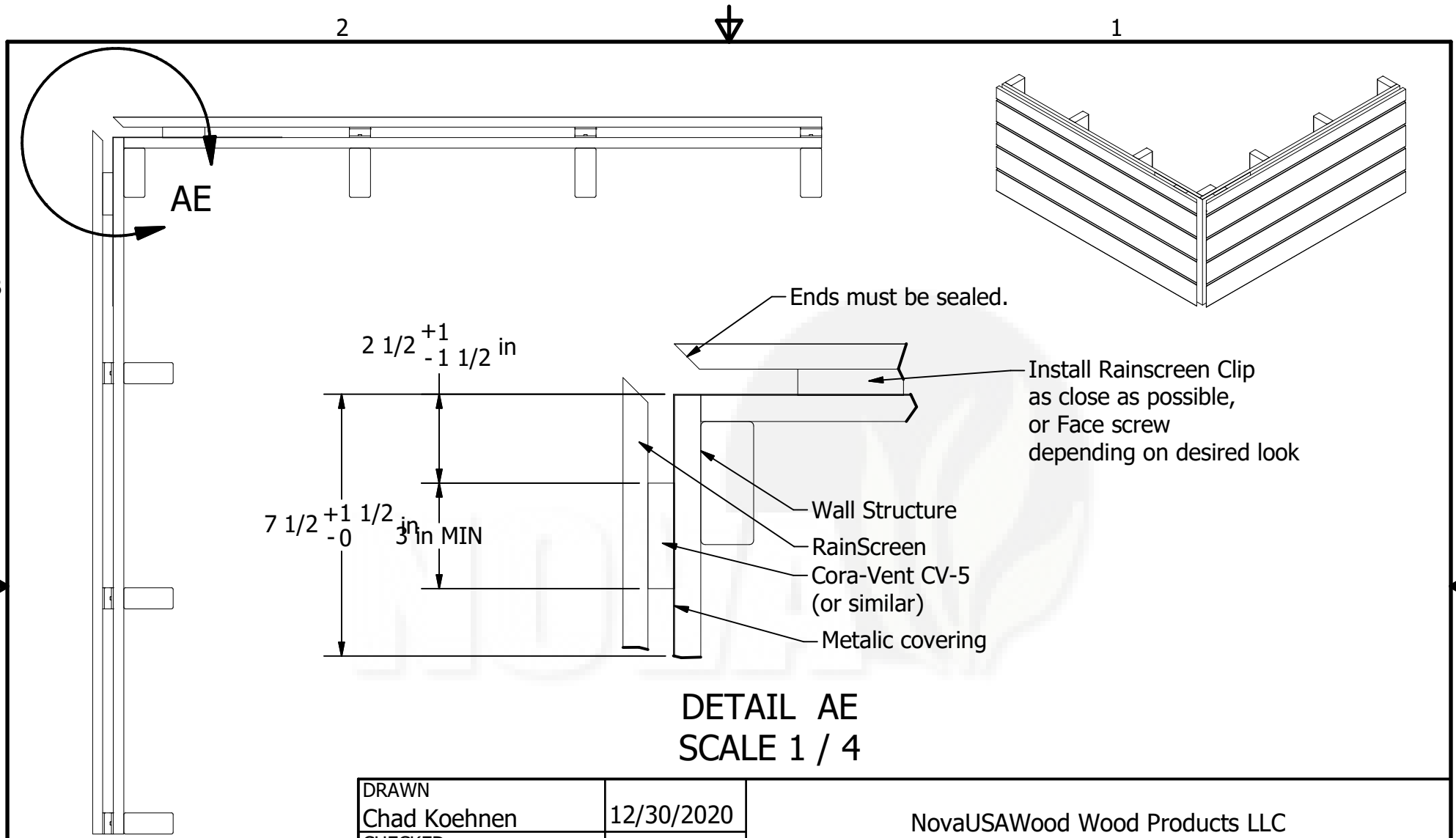
Metallic Backing
 (Al, Cu, or similar)

Wall Structure

DETAIL AD
SCALE 1 / 3

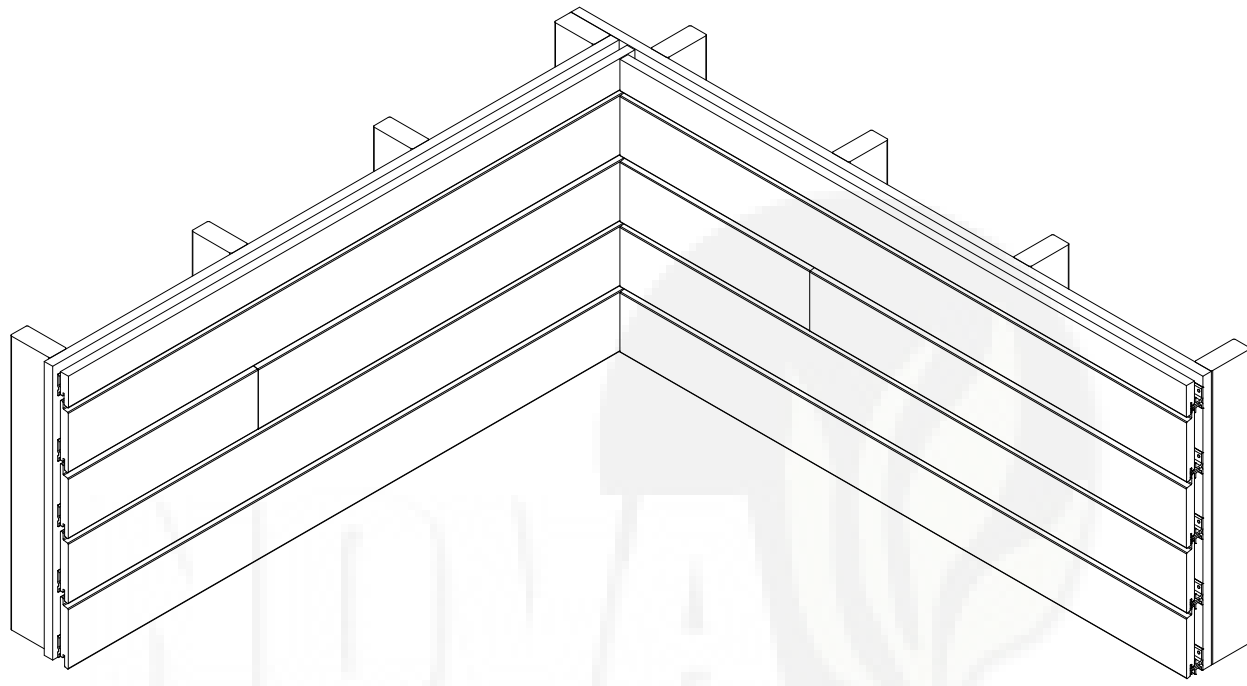
DRAWN	12/30/2020
Chad Koehnen	
CHECKED	
Steve Getsiv	
QA	
MFG	
Steve Getsiv	
APPROVED	
Chad Koehnen	

NovaUSAWood Wood Products LLC			
https://www.novausawood.com/rainscreen-siding-clips			
TITLE			
Rainscreen Clip and Siding System			
SIZE	DWG NO	REV	
A	Rainscreen Reference	2.6	
SCALE	SHEET 13 OF 28		
1 / 12			

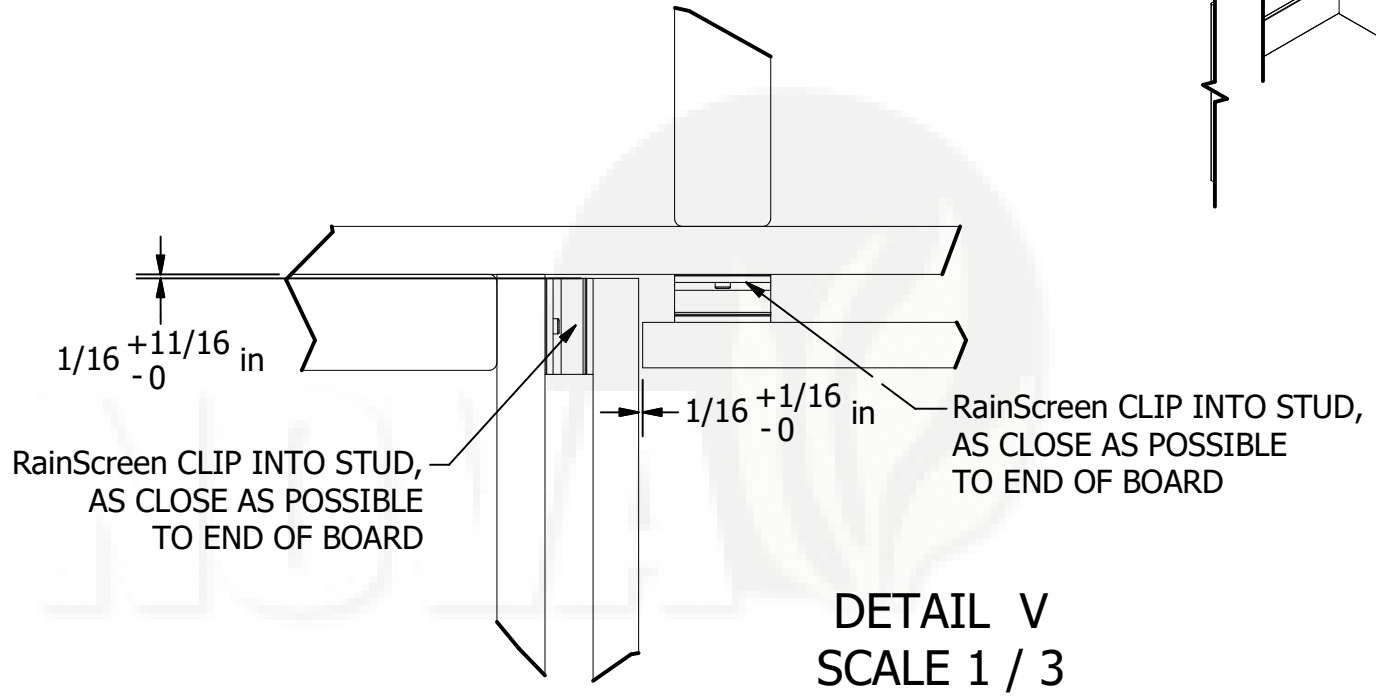
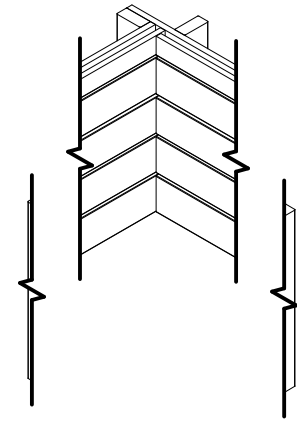
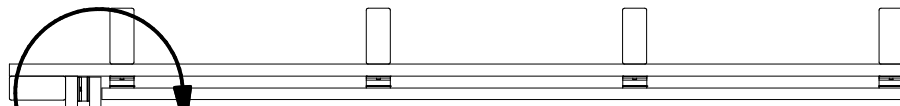


DETAIL AE
SCALE 1 / 4

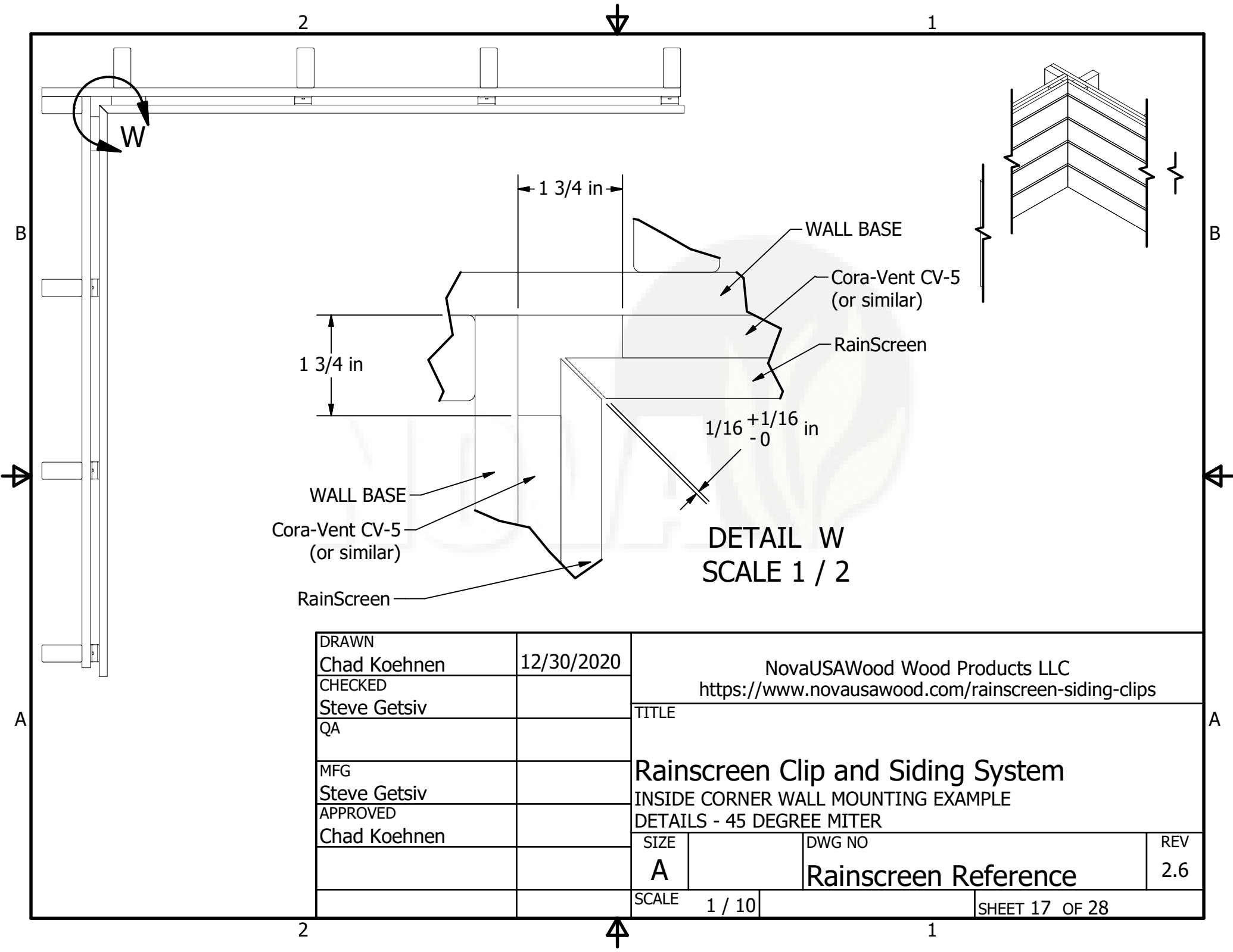
DRAWN Chad Koehnen	12/30/2020	NovaUSAWood Wood Products LLC		
CHECKED Steve Getsiv		TITLE		
QA		Rainscreen Clip and Siding System		
MFG Steve Getsiv		SIZE A	DWG NO Rainscreen Reference	REV 2.6
APPROVED Chad Koehnen		SCALE 1:10	SHEET 14 OF 28	



DRAWN Chad Koehnen	12/30/2020	NovaUSAWood Wood Products LLC https://www.novausawood.com/rainscreen-siding-clips		
CHECKED Steve Getsiv		TITLE		
QA		Rainscreen Clip and Siding System INSIDE CORNER WALL MOUNTING EXAMPLE OVERVIEW		
MFG Steve Getsiv		SIZE A	DWG NO Rainscreen Reference	REV 2.6
APPROVED Chad Koehnen		SCALE 1 / 12	SHEET 15 OF 28	

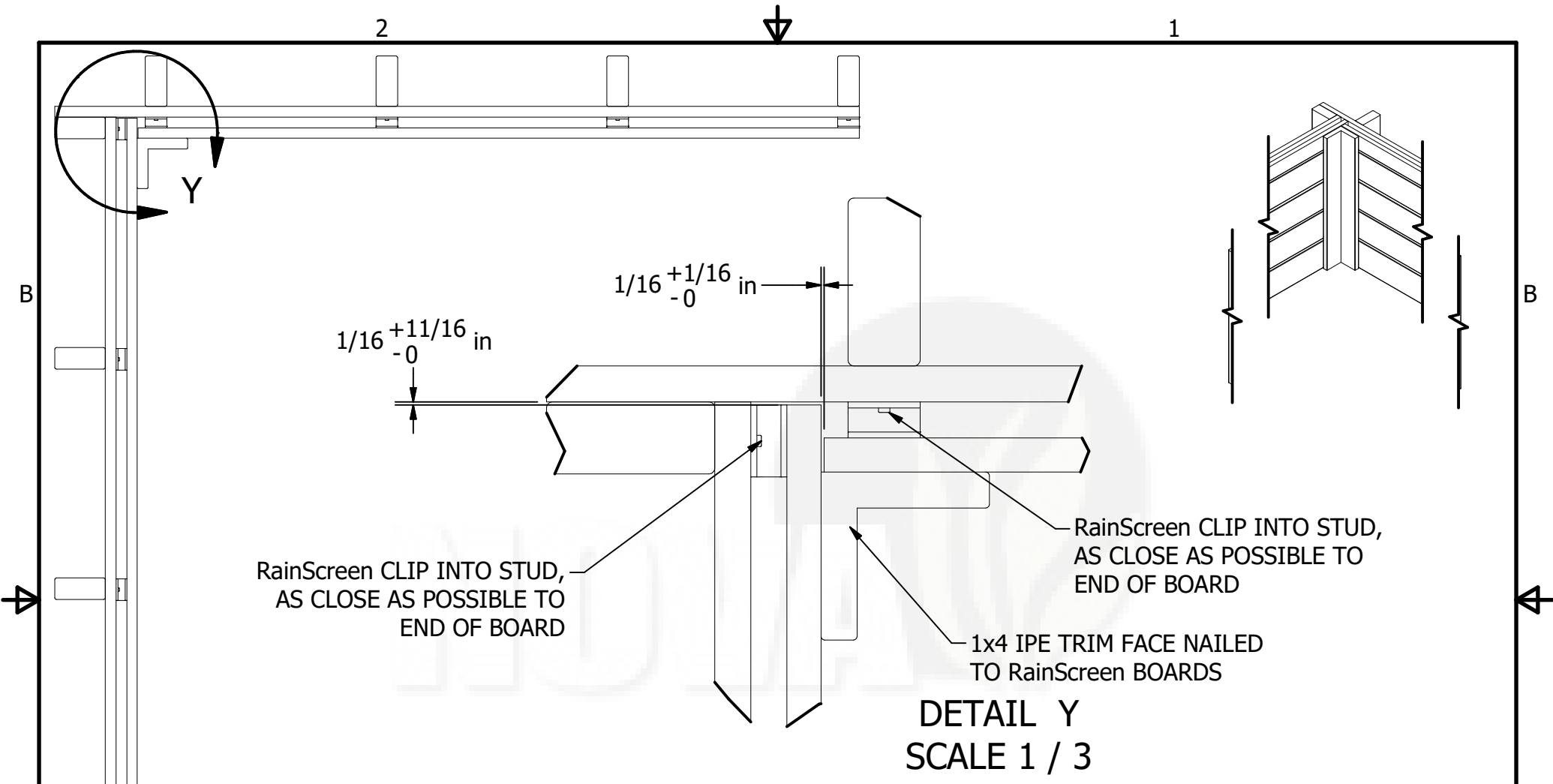


DRAWN Chad Koehnen	12/30/2020	NovaUSAWood Wood Products LLC https://www.novausawood.com/rainscreen-siding-clips		
CHECKED Steve Getsiv		TITLE		
QA		Rainscreen Clip and Siding System INSIDE CORNER WALL MOUNTING EXAMPLE DETAILS		
MFG Steve Getsiv		SIZE A	DWG NO Rainscreen Reference	REV 2.6
APPROVED Chad Koehnen		SCALE 1 / 12	SHEET 16 OF 28	



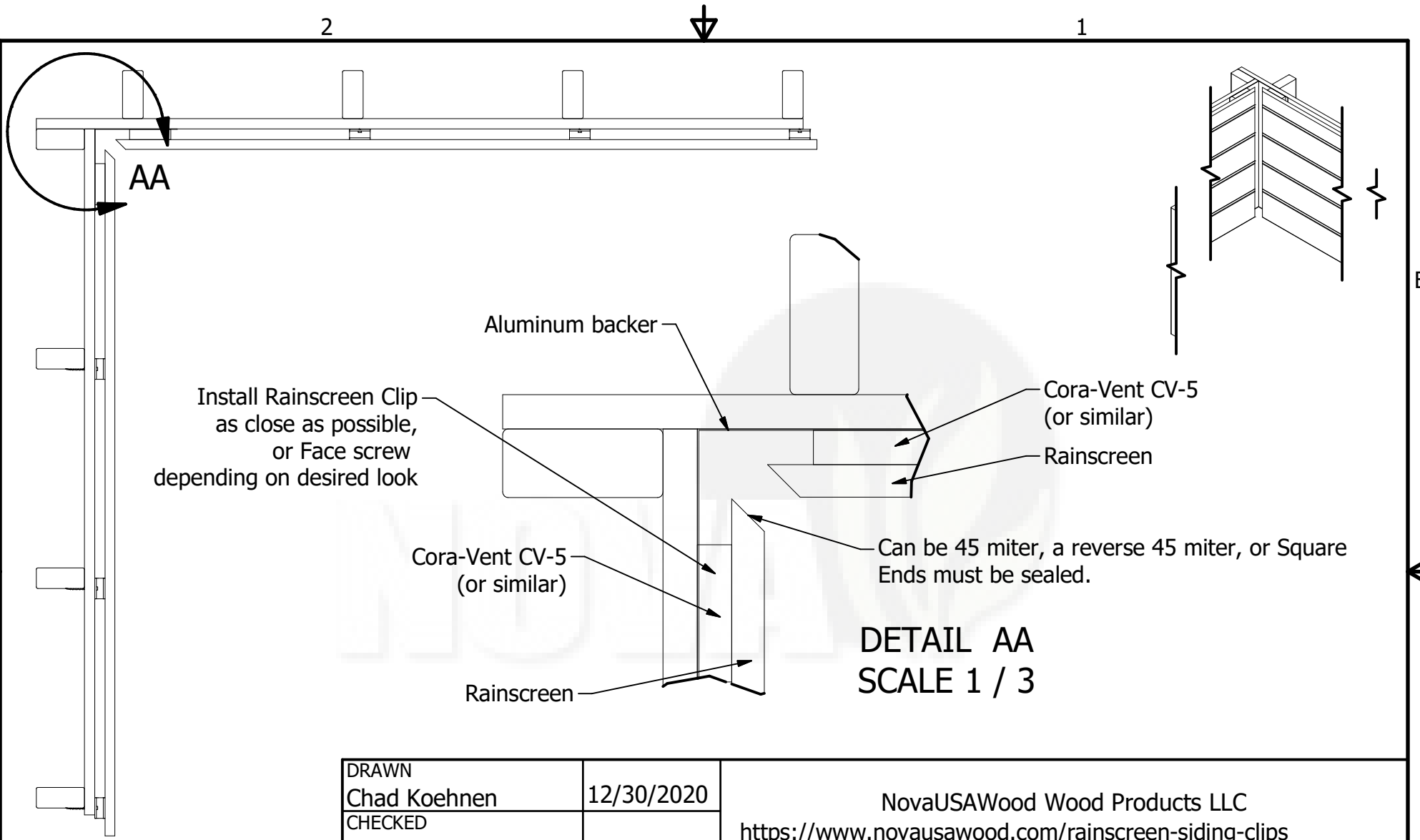
DETAIL W
SCALE 1 / 2

DRAWN Chad Koehnen	12/30/2020	NovaUSAWood Wood Products LLC https://www.novausawood.com/rainscreen-siding-clips		
CHECKED Steve Getsiv		TITLE		
QA		Rainscreen Clip and Siding System INSIDE CORNER WALL MOUNTING EXAMPLE DETAILS - 45 DEGREE MITER		
MFG Steve Getsiv		SIZE A	DWG NO Rainscreen Reference	REV 2.6
APPROVED Chad Koehnen		SCALE 1 / 10	SHEET 17 OF 28	



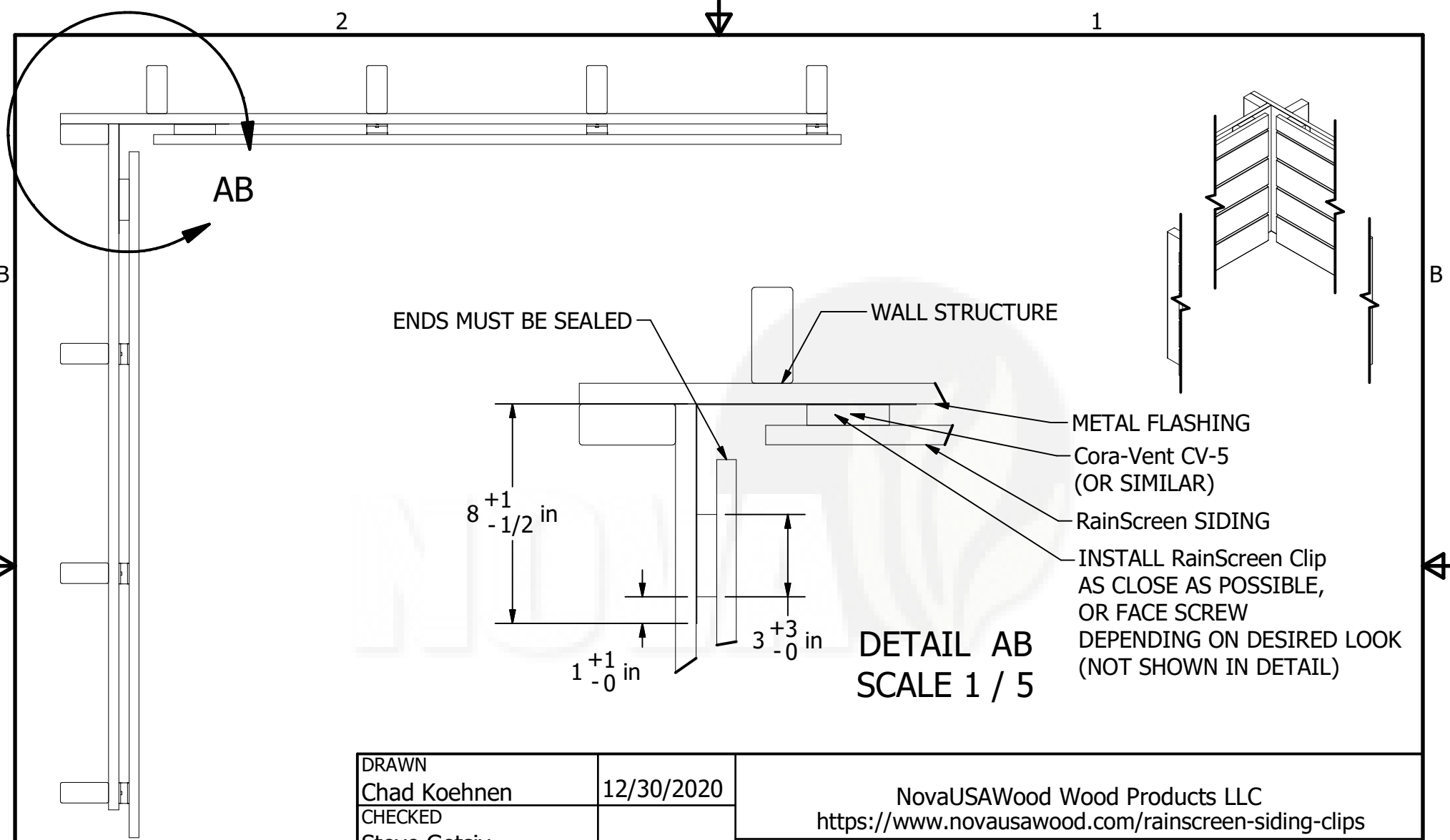
DETAIL Y
SCALE 1 / 3

DRAWN Chad Koehnen	12/30/2020	NovaUSAWood Wood Products LLC https://www.novausawood.com/rainscreen-siding-clips		
CHECKED Steve Getsiv		TITLE		
QA		Rainscreen Clip and Siding System INSIDE CORNER WALL MOUNTING EXAMPLE DETAILS - WITH CORNER TRIM		
MFG Steve Getsiv		SIZE A	DWG NO Rainscreen Reference	REV 2.6
APPROVED Chad Koehnen		SCALE 1 / 10	SHEET 18 OF 28	



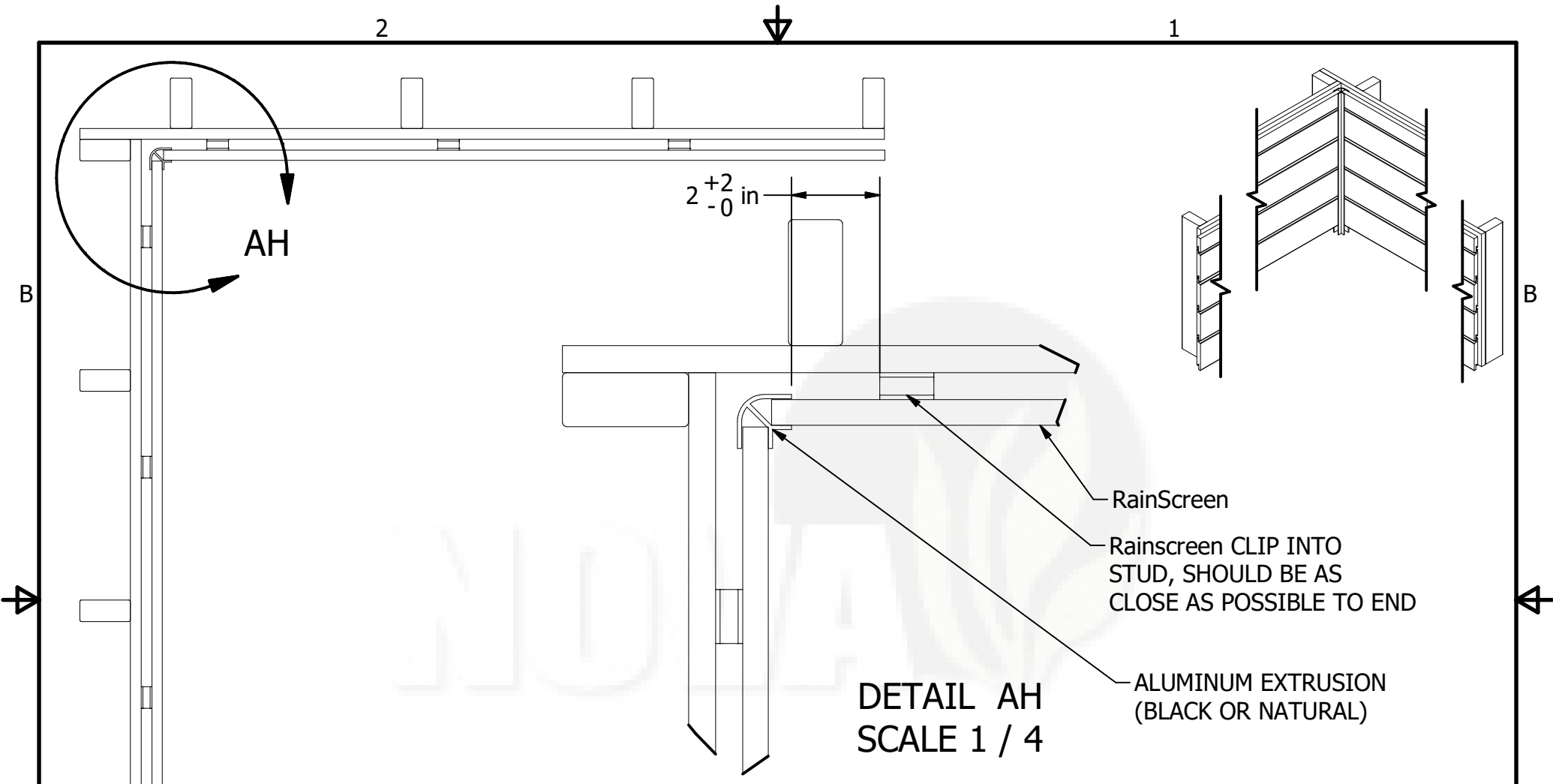
DETAIL AA
SCALE 1 / 3

DRAWN Chad Koehnen	12/30/2020	NovaUSAWood Wood Products LLC https://www.novausawood.com/rainscreen-siding-clips		
CHECKED Steve Getsiv		TITLE		
QA		Rainscreen Clip and Siding System		
MFG Steve Getsiv		INSIDE CORNER WALL MOUNTING EXAMPLE		
APPROVED Chad Koehnen		DETAILS - VISIBLE 45 DEGREE MITER WITH VISIBLE BACKING		
		SIZE A	DWG NO Rainscreen Reference	REV 2.6
		SCALE 1 / 10	SHEET 19 OF 28	



DETAIL AB
SCALE 1 / 5

DRAWN Chad Koehnen	12/30/2020	NovaUSAWood Wood Products LLC https://www.novausawood.com/rainscreen-siding-clips	
CHECKED Steve Getsiv		TITLE	
QA		Rainscreen Clip and Siding System INSIDE CORNER WALL MOUNTING EXAMPLE DETAILS - SQUARE CUT WITH VISIBLE BACKING	
MFG Steve Getsiv		SIZE A	DWG NO Rainscreen Reference
APPROVED Chad Koehnen		SCALE 1 / 10	REV 2.6
		SHEET 20 OF 28	



DETAIL AH
SCALE 1 / 4

DRAWN Chad Koehnen	12/30/2020	NovaUSAWood Wood Products LLC		
CHECKED Steve Getsiv		TITLE		
QA		Rainscreen Clip and Siding System		
MFG Steve Getsiv		SIZE A	DWG NO Rainscreen Reference	REV 2.6
APPROVED Chad Koehnen		SCALE 1 / 10	SHEET 21 OF 28	

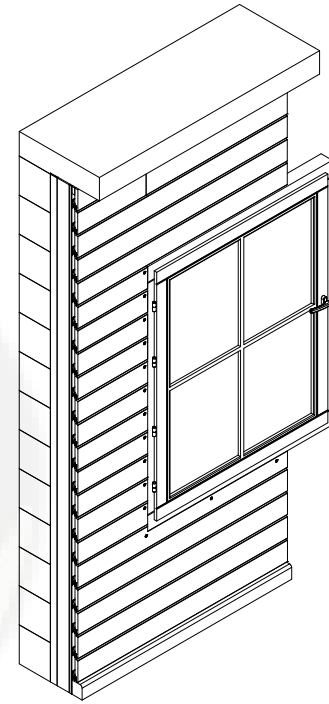
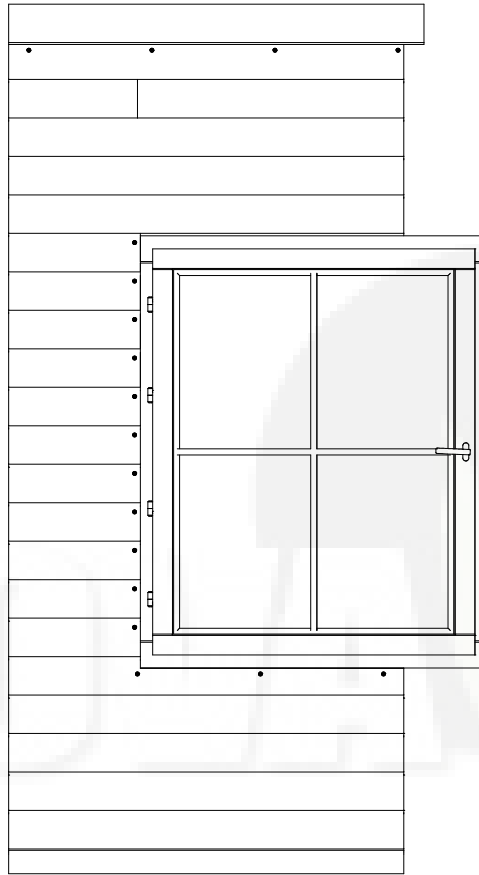
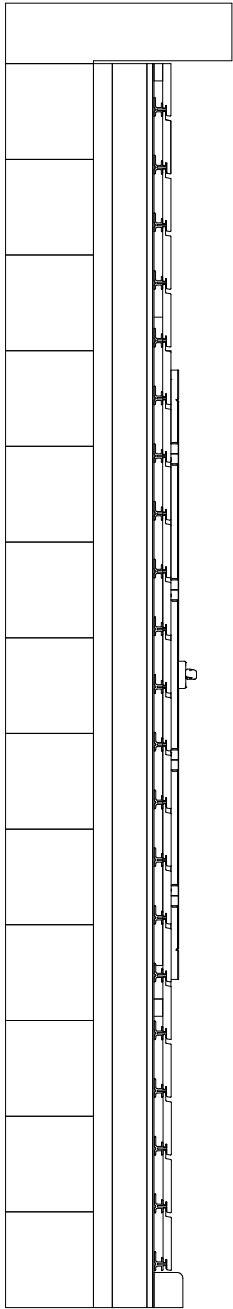
2



1

B

B



A

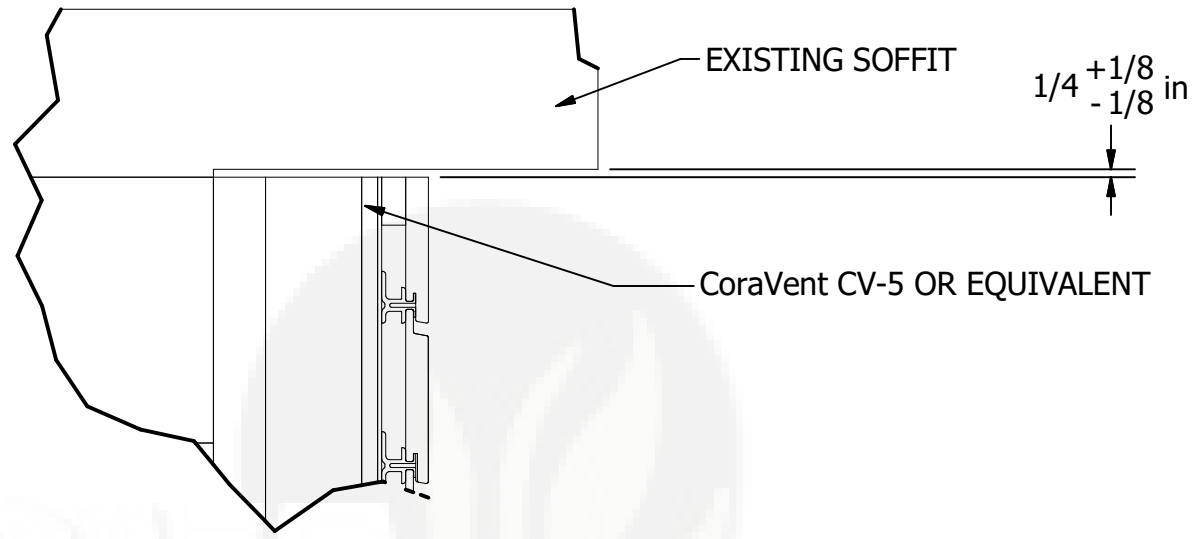
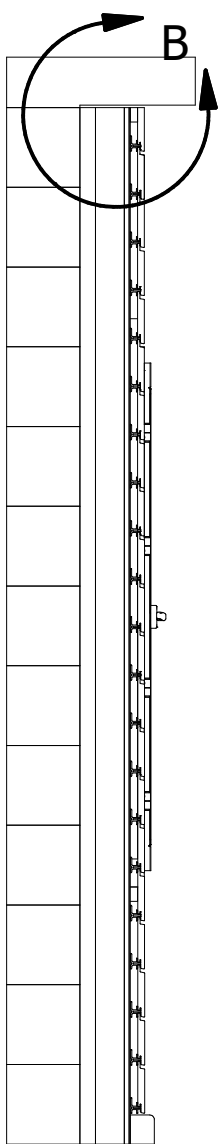
A

DRAWN Chad Koehnen	12/30/2020	NovaUSAWood Wood Products LLC https://www.novausawood.com/rainscreen-siding-clips		
CHECKED Steve Getsiv		TITLE		
QA		Rainscreen Clip and Siding System Typical Wall with Insulation and Window - Overview		
MFG Steve Getsiv		SIZE A	DWG NO Rainscreen Reference	REV 2.6
APPROVED Chad Koehnen		SCALE 0.06 : 1		SHEET 22 OF 28

2



1



DETAIL B
SCALE 1 / 6

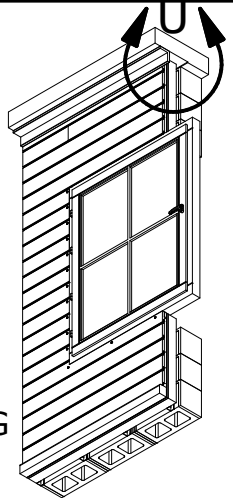
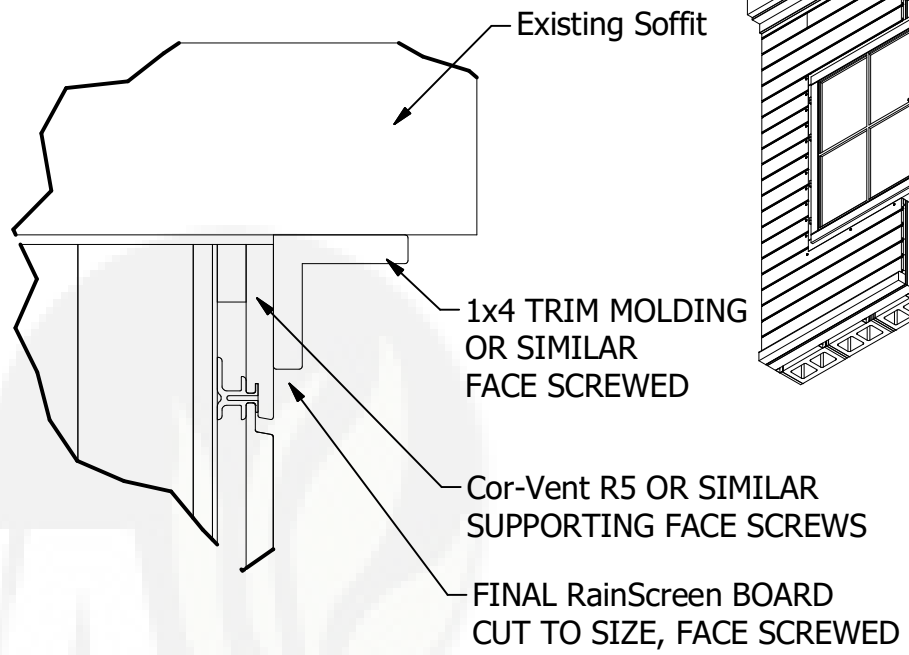
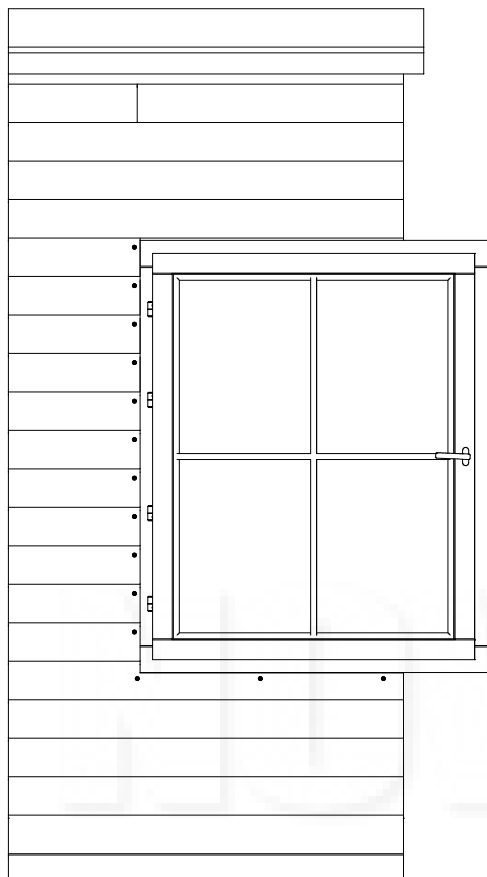
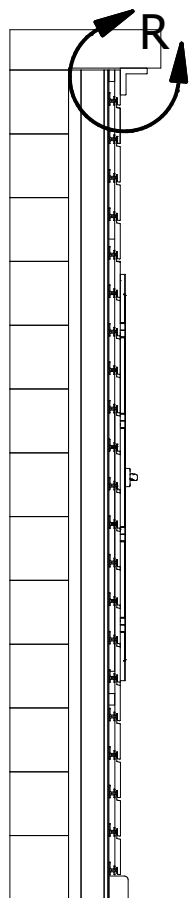
TYPICAL SOFFIT DESIGN

DRAWN Chad Koehnen		12/30/2020		NovaUSAWood Wood Products LLC https://www.novausawood.com/rainscreen-siding-clips			
CHECKED Steve Getsiv							
QA				Rainscreen Clip and Siding System SOFFIT DETAILS - NO TRIM			
MFG Steve Getsiv							
APPROVED Chad Koehnen							
		SIZE A		DWG NO Rainscreen Reference		REV 2.6	
		SCALE 0.05 : 1				SHEET 23 OF 28	

2



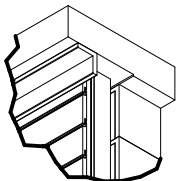
1



DETAIL R
SCALE 0.2 : 1

B

B



DETAIL U
SCALE 1 / 25

DRAWN Chad Koehnen		12/30/2020		NovaUSAWood Wood Products LLC https://www.novausawood.com/rainscreen-siding-clips			
CHECKED Steve Getsiv		QA		TITLE			
MFG Steve Getsiv		APPROVED Chad Koehnen		Rainscreen Clip and Siding System SOFFIT DETAILS WITH TRIM			
		SIZE A		DWG NO Rainscreen Reference		REV 2.6	
		SCALE 0.04				SHEET 24 OF 28	

2



1

A

A

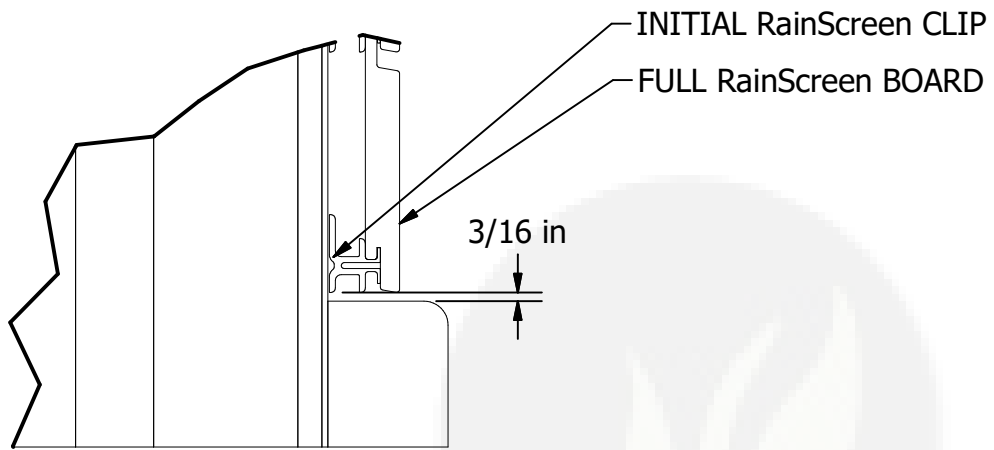
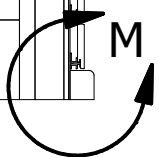
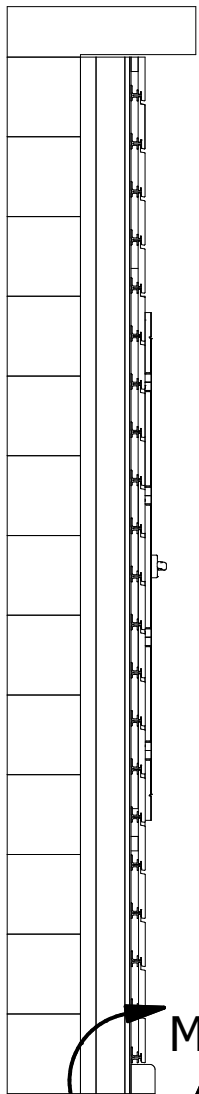
2



1

B

B



INITIAL RainScreen CLIP

FULL RainScreen BOARD

3/16 in



DETAIL M
SCALE 1 / 4

ROCK OR OTHER
FASCIA MATERIAL
AS DESIRED



A

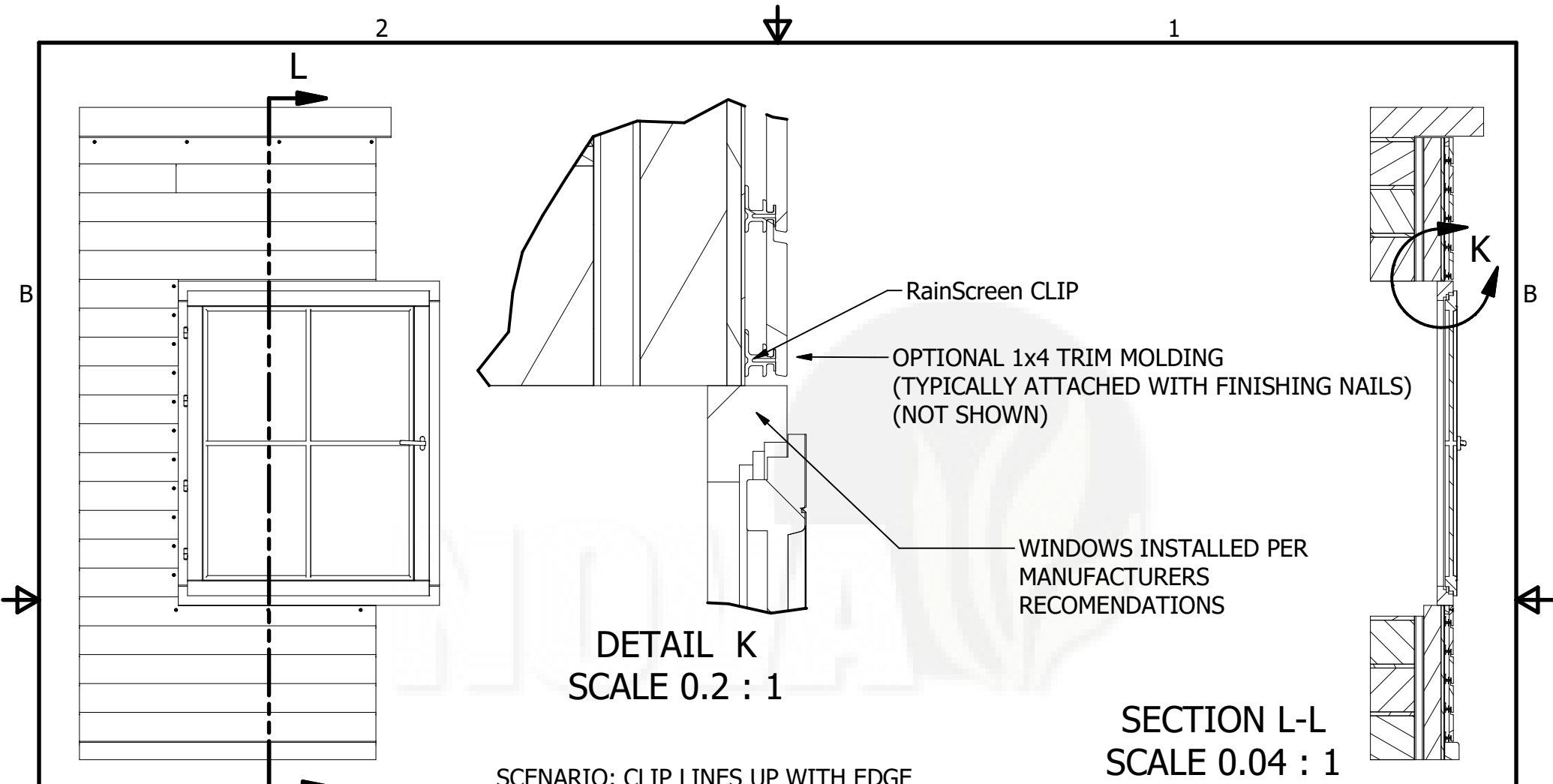
A

DRAWN Chad Koehnen	12/30/2020	NovaUSAWood Wood Products LLC https://www.novausawood.com/rainscreen-siding-clips		
CHECKED Steve Getsiv		TITLE		
QA		Rainscreen Clip and Siding System Bottom of Wall Details		
MFG Steve Getsiv		SIZE A	DWG NO Rainscreen Reference	REV 2.6
APPROVED Chad Koehnen		SCALE 1 / 4	SHEET 25 OF 28	

2



1

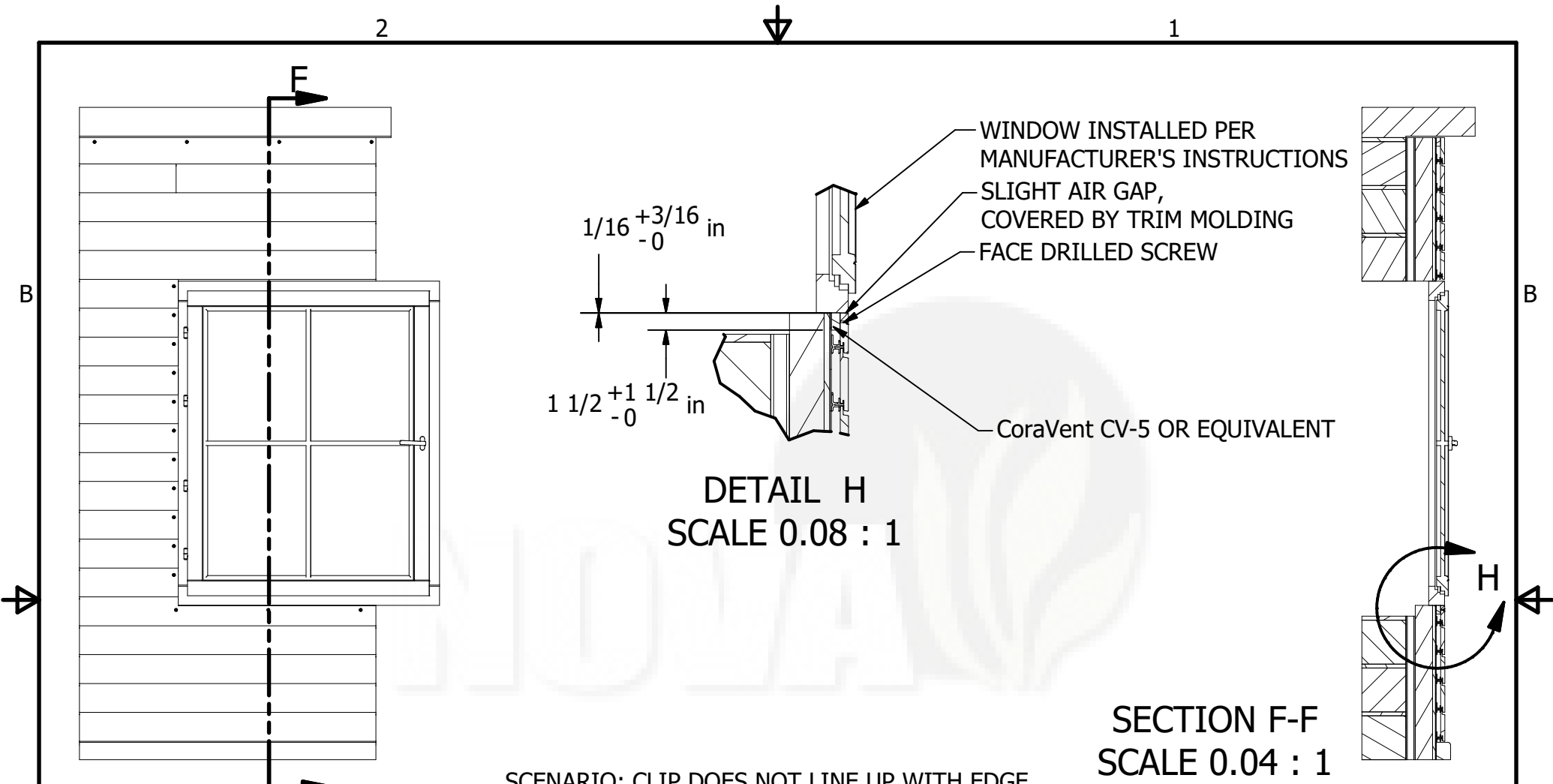


DETAIL K
SCALE 0.2 : 1

SECTION L-L
SCALE 0.04 : 1

SCENARIO: CLIP LINES UP WITH EDGE

DRAWN Chad Koehnen		12/30/2020		NovaUSAWood Wood Products LLC https://www.novausawood.com/rainscreen-siding-clips			
CHECKED Steve Getsiv				TITLE			
QA				Rainscreen Clip and Siding System WINDOW OR DOOR EXAMPLE - CLIPS AT EDGE			
MFG Steve Getsiv				SIZE	DWG NO	REV	
APPROVED Chad Koehnen				A	Rainscreen Reference	2.6	
				SCALE	0.2 : 1	SHEET 26 OF 28	

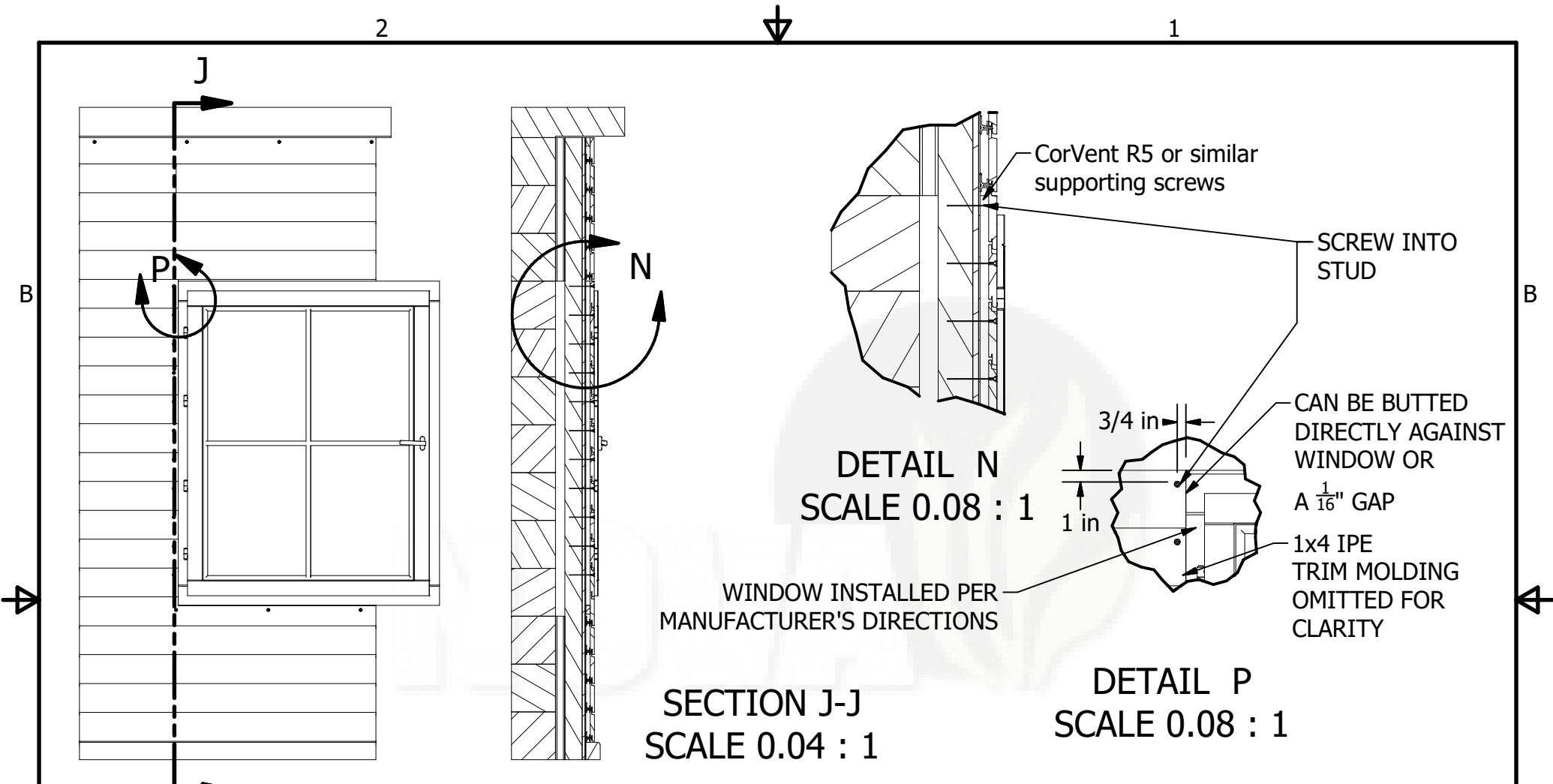


DETAIL H
SCALE 0.08 : 1

SECTION F-F
SCALE 0.04 : 1

SCENARIO: CLIP DOES NOT LINE UP WITH EDGE

DRAWN Chad Koehnen CHECKED Steve Getsiv QA MFG Steve Getsiv APPROVED Chad Koehnen	12/30/2020	NovaUSAWood Wood Products LLC https://www.novausawood.com/rainscreen-siding-clips		
		TITLE		
		Rainscreen Clip and Siding System WINDOW OR DOOR EXAMPLE BOARDS DO NOT LINE UP WITH WINDOW OPENING		
		SIZE	DWG NO	REV
		A	Rainscreen Reference	2.6
		SCALE	SHEET 27 OF 28	
		0.04 : 1		



DRAWN Chad Koehnen	12/30/2020	NovaUSAWood Wood Products LLC https://www.novausawood.com/rainscreen-siding-clips		
CHECKED Steve Getsiv		TITLE		
QA		Rainscreen Clip and Siding System Window or Door Example - Edge Details		
MFG Steve Getsiv		SIZE A	DWG NO Rainscreen Reference	REV 2.6
APPROVED Chad Koehnen		SCALE 0.04 : 1	SHEET 28 OF 28	